



# Modify note

Version	Date	Author	Change Note	Approved
V00	20160713	hwq	First edictor	

 <b>Firefly</b>	<b>www.t-firefly.com</b>
<b>Title: Modify note</b>	
<b>File: Firefly-RK3399</b>	REV: 1.0
<b>Create Date: Monday, March 28, 2016</b>	<b>Page Num: 1</b>
<b>Modify Date: Tuesday, January 03, 2017</b>	<b>Page Total: 30</b>

# RK3399 I2C MAP

Port	Pin name	Domain	Bus name	Pull-up voltage	Slave Device	Slave Addr (MS 7Bits)	Note	Slave Bus Capability
I2C0	GPIO1_B7/SPI3_RXD/I2C0_SDA GPIO1_C0/SPI3_TXD/I2C0_SCL	PMUIO2 VCC3V0_IO	I2C0_SDA_PMIC I2C0_SCL_PMIC	VCC3V0	TT8563	0xA2,0XA3	RTC	
					Rockchip RK808	0x1b	PMIC	
I2C1	GPIO4_A1/I2C1_SDA GPIO4_A2/I2C1_SCL	APIO5 VCC1V8_IO	I2C1_SDA_PCIE I2C1_SCL_PCIE	VCCA1V8_CODEC				
			I2C1_SDA_AUDIO I2C1_SCL_AUDIO	VCCA1V8_CODEC	ALC5640	0x38h	Audio codec	
			I2C1_SDA_CAM I2C1_SCL_CAM	VCCA1V8_CODEC	Omnivision OV13850	0x6c0,0x6D	MIPI Camera	
			Other pin function	VCCA1V8_CODEC	S5K4ECGX	0x78	DVP Camera	
I2C2	GPIO2_A0/VOP_D0/CIF_D0/I2C2_SDA GPIO2_A1/VOP_D1/CIF_D1/I2C2_SCL	APIO2 VCC1V8_IO	Other pin function	VCC1V8_DVP				
I2C3	GPIO4_C0/I2C3_SDA/UART2B_RX GPIO4_C1/I2C3_SCL/UART2B_TX	APIO4 VCC3V0_IO	I2C3_SDA_HDMI I2C3_SCL_HDMI	VCC_3V0				
I2C4	GPIO1_B3/I2C4_SDA GPIO1_B4/I2C4_SCL	PMUIO2 VCC3V0_IO	I2C4_SDA_TYPEC I2C4_SCL_TYPEC	VCC_3V0	Fairchild FUSB302B	0x44,0x46	USB-TypeC Mux	100kHz,400KHz,1MHz fast mode+
			I2C4_SDA_TP I2C4_SCL_TP	VCC_3V0	Silead GSL3680	0x40	Touch panel	
			AT18_SDA AT18_SCL	VCC_3V0	AT18		Encryption	
			Other pin function	VCC_3V0				
I2C5	GPIO3_B2/MAC_RXER/I2C5_SDA GPIO3_B3/MAC_CLK/I2C5_SCL	APIO1 VCC3V3_LAN	Other pin function	VCC3V3_S3				
I2C6	GPIO2_B1/SPI2_RXD/CIF_HREF/I2C6_SDA GPIO2_B2/SPI2_TXD/CIF_CLKIN/I2C6_SCL	APIO2 VCC1V8_IO	Other pin function	VCC1V8_DVP				
I2C7	GPIO2_A7/VOP_D7/CIF_D7/I2C7_SDA GPIO2_B0/VOP_CLK/CIF_VSYNC/I2C7_SCL	APIO2 VCC1V8_IO	Other pin function					
I2C8	GPIO1_C4/I2C8_SDA GPIO1_C5/I2C8_SCL	PMUIO2 VCC3V0_IO	Other pin function					



www.t-firefly.com

---

**Title:** I2C Map

---

**File:** Firefly-RK3399 REV:1.0

---


**Create Date:** Monday, March 28, 2016 Page Num:2

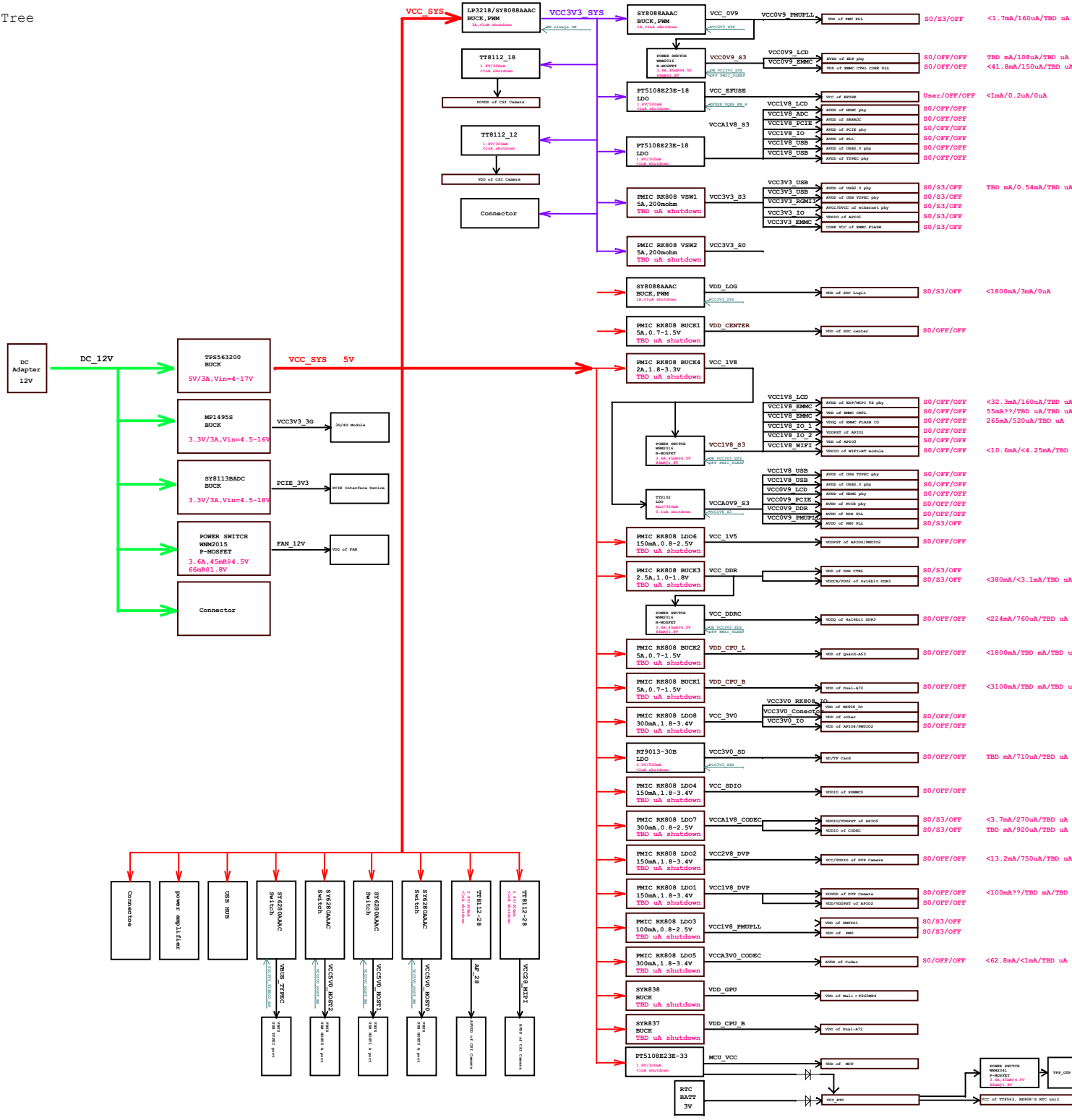
---

**Modify Date:** Tuesday, January 03, 2017 Page Total: 30

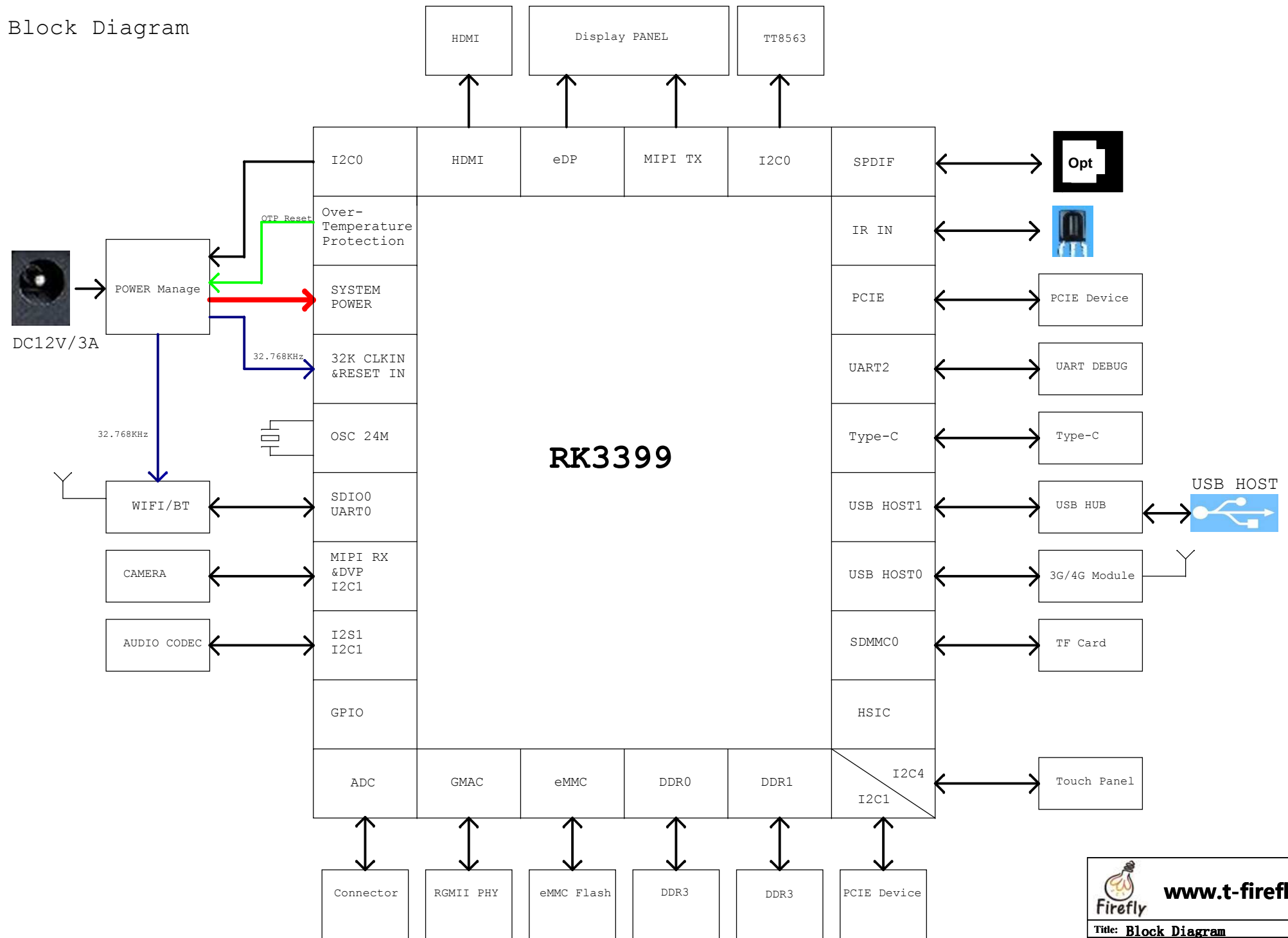
# RK3399 Power Domain Map

Part Port	Domain	Pin name in datasheet	I/O type	Power supply	Power source
Part C	PMUIO1	pmuiol_gpio0ab	1.8V only	VCC1V8_PMUPLL	RK808 VLD03
Part E	PMUIO2	pmul830_gpio1abcd	1.8V (Default) 3.0V	VCC_1V5 VCC_3V0	RK808 VLD06 RK808 VLD08
Part I	APIO1	gmac_gpio3abc	3.3V only	VCC3V3_S3	RK808 VSW1
Part L	APIO2	bt656_gpio2ab	1.8V (Default) 3.0V	VCC1V8_DVP	RK808 VLD01
Part G	APIO3	wifi/bt_gpio2cd	1.8V only	VCC1V8_S3	RK808 Buck4
Part K	APIO4	gpio1830_gpio4cd	1.8V 3.0V (Default)	VCC_1V5 VCC3V0_IO	RK808 VLD06 RK808 VLD08
Part J	APIO5	audio_gpio3d_gpio4a	1.8V (Default) 3.0V	VCCA1V8_CODEC	RK808 VLD07
Part F	SDMMC0	sdmmc_gpio4b	1.8V 3.0V (Default)	VCC_SDIO	RK808 VLD04

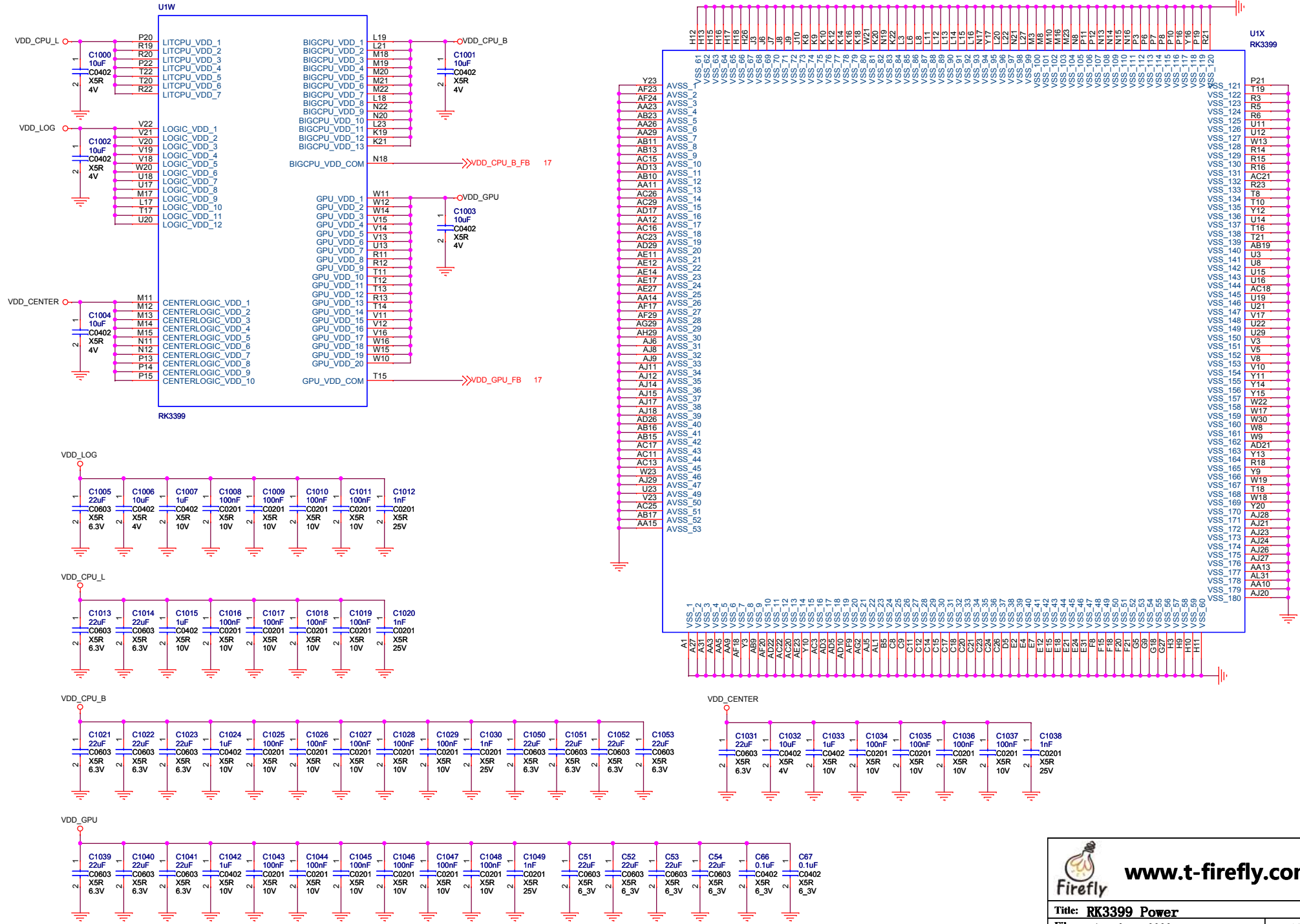
		<a href="http://www.t-firefly.com">www.t-firefly.com</a>	
<b>Title: Power Domain Map</b>			
<b>File: Firefly-RK3399</b>			REV: 1.0
Create Date: Monday, March 28, 2016		Page Num: 3	
Modify Date: Tuesday, January 03, 2017		Page Total: 30	




# Block Diagram



# RK3399 Power

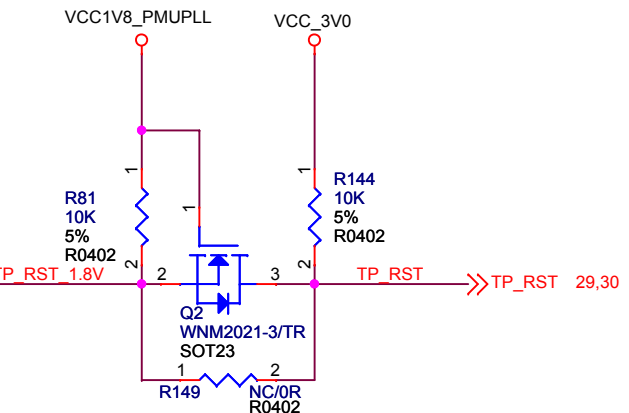
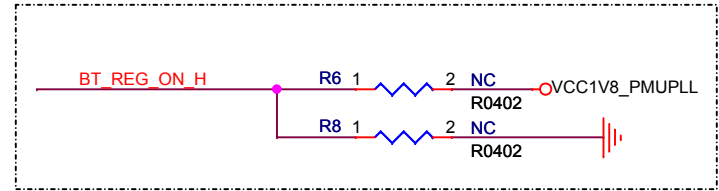
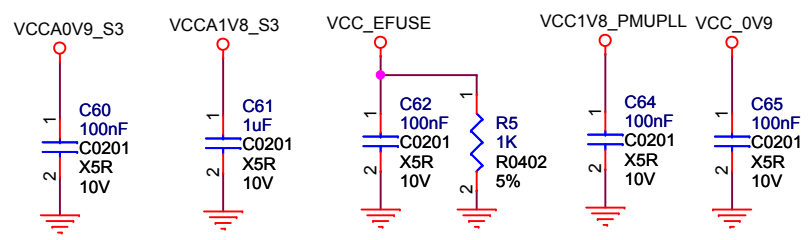
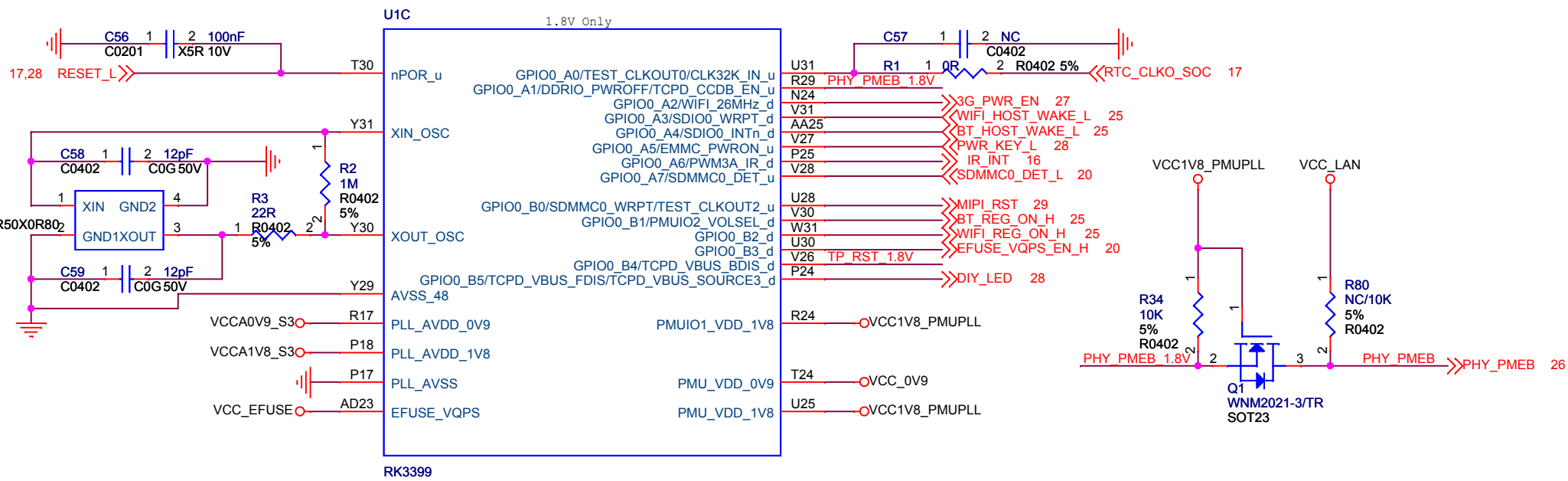





**www.t-firefly.com**

<b>Title: RK3399 Power</b>		REV: 1.0
<b>File: Firefly-RK3399</b>		Page Num: 6
Create Date: Monday, March 28, 2016	Page Total: 30	
Modify Date: Tuesday, January 03, 2017		

# RK3399 PMU Controller

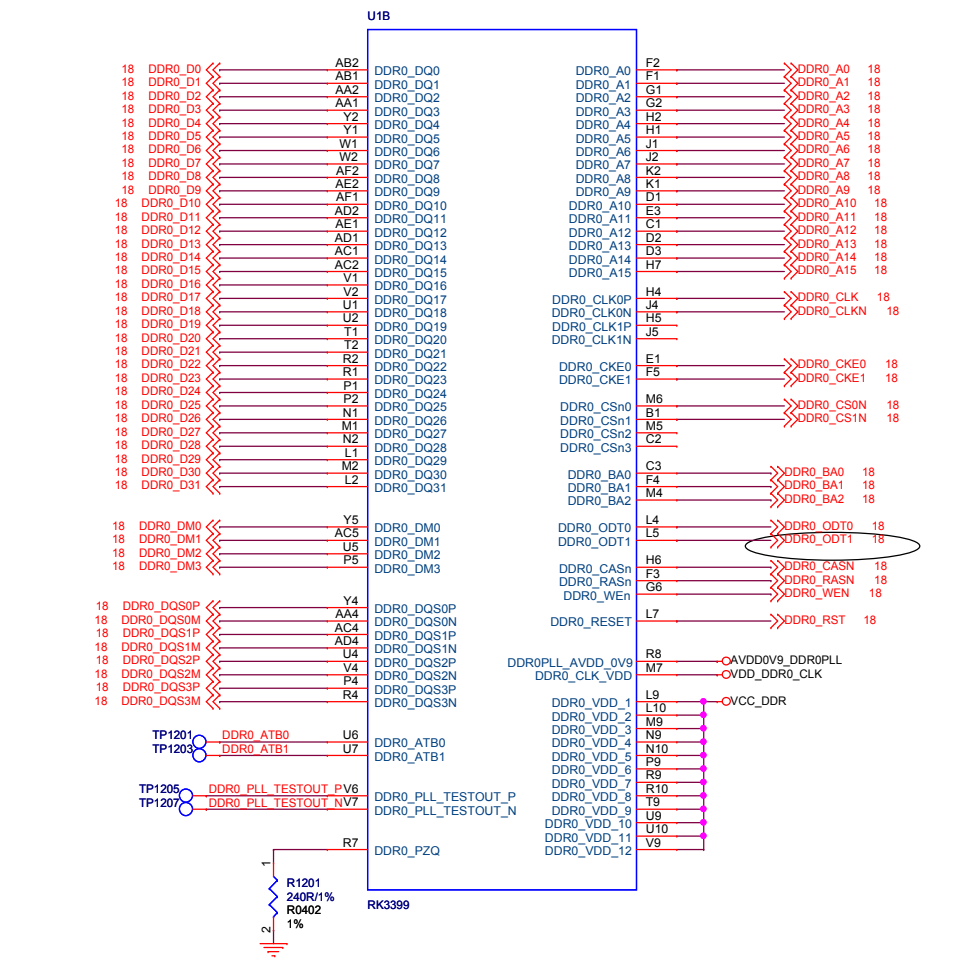
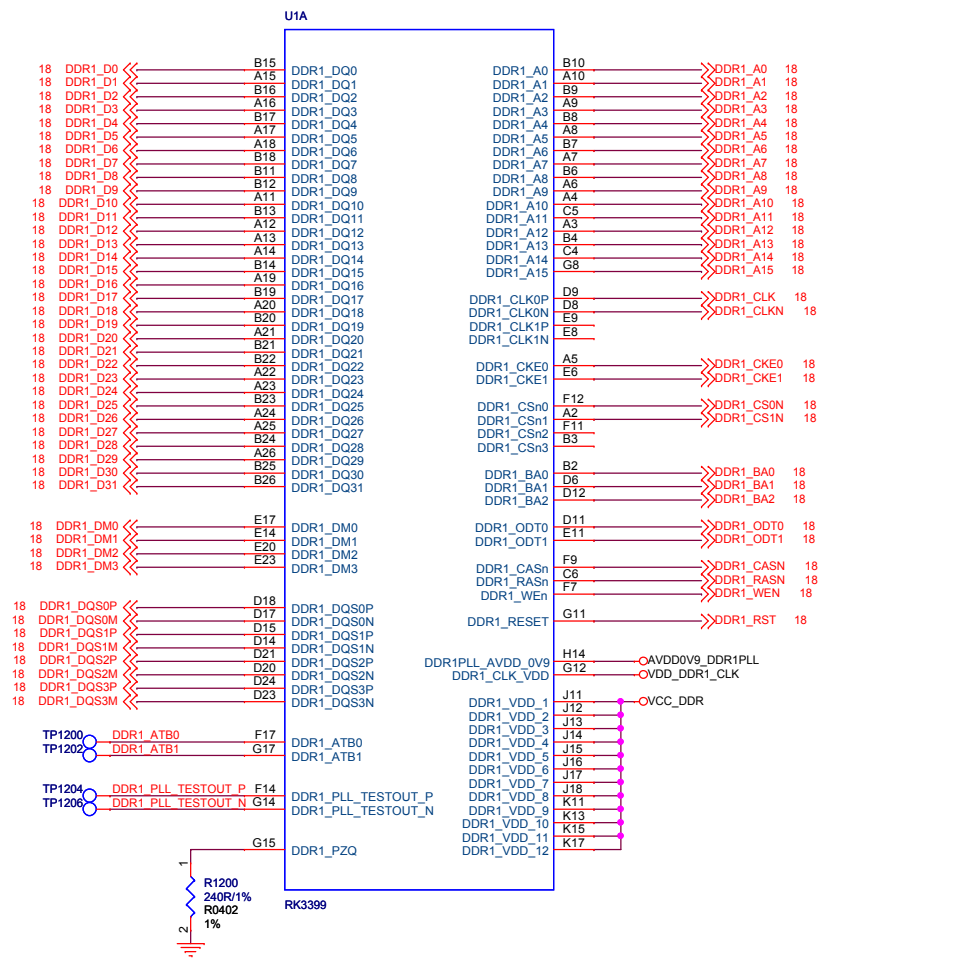




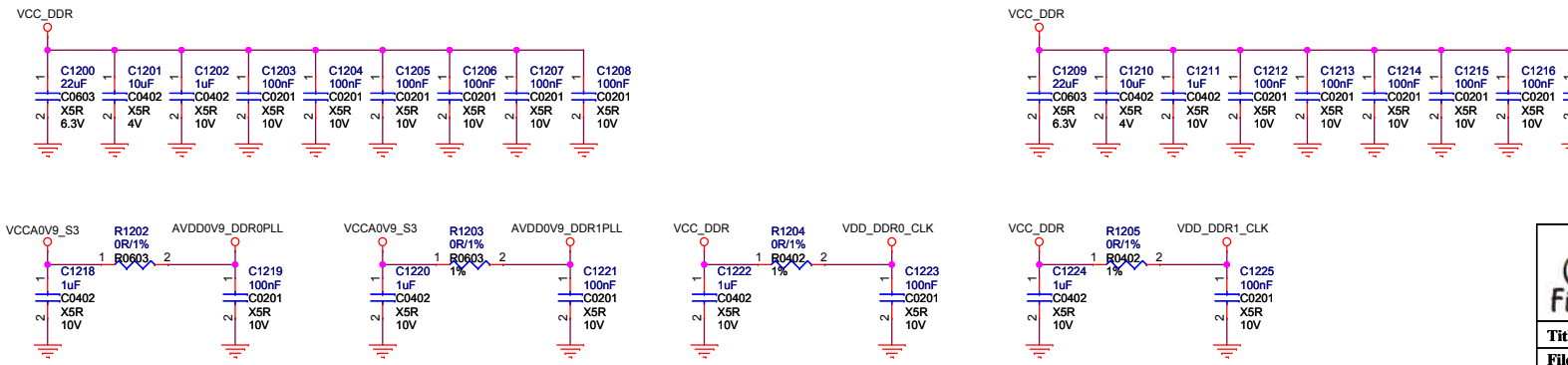
**www.t-firefly.com**


<b>Title:</b> RK3399 PMU Controller	
<b>File:</b> Firefly-RK3399	REV: 1.0
<b>Create Date:</b> Monday, March 28, 2016	<b>Page Num:</b> 7
<b>Modify Date:</b> Wednesday, February 08, 2017	<b>Page Total:</b> 30

# RK3399 DDR Controller



## DDR FILTER



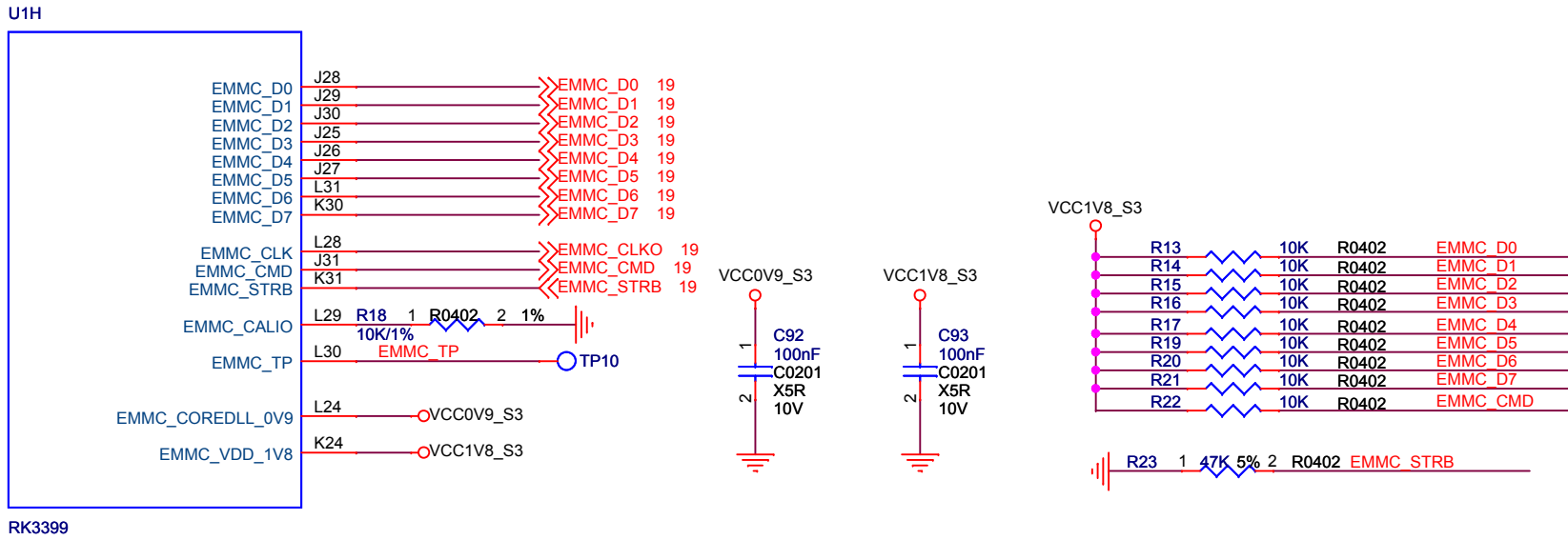


**www.t-firefly.com**

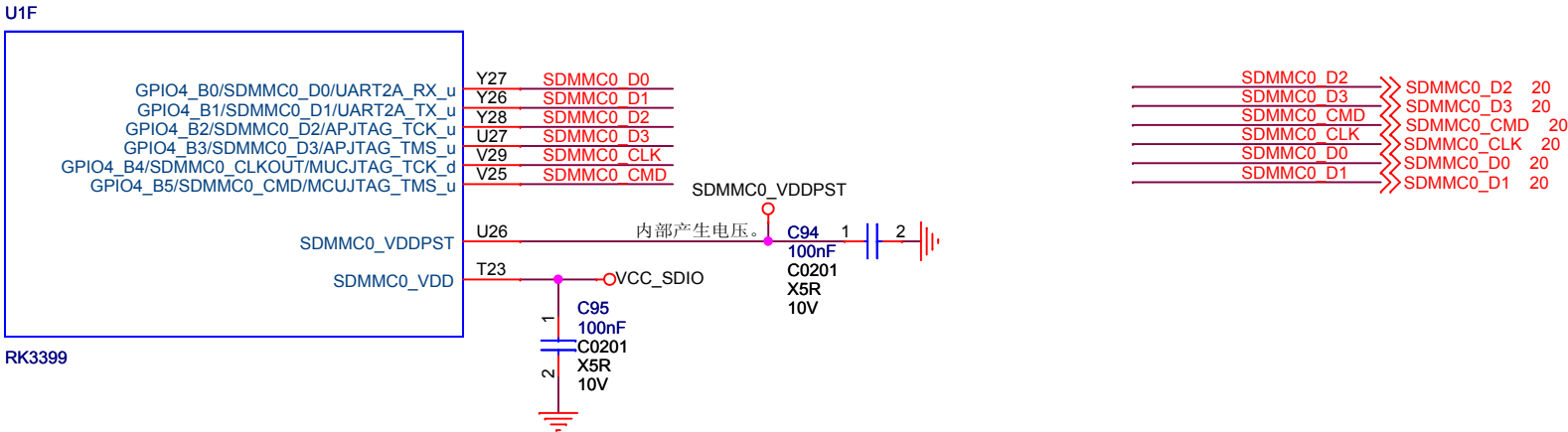
<b>Title: RK3399 DDR Controller</b>	
<b>File: Firefly-RK3399</b>	REV: 1.0
Create Date: Monday, March 28, 2016	Page Num: 8
Modify Date: Tuesday, January 03, 2017	Page Total: 30




# eMMC



# SDIO0

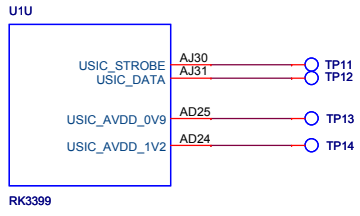




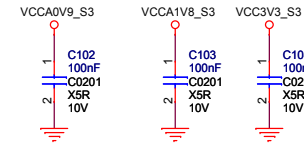
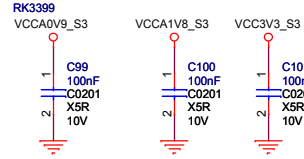
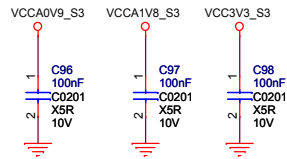
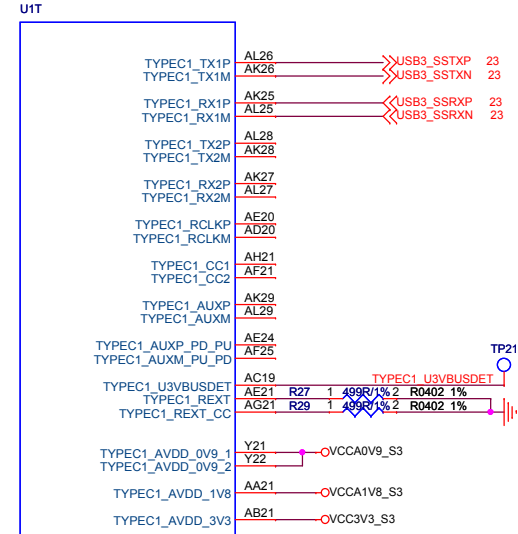
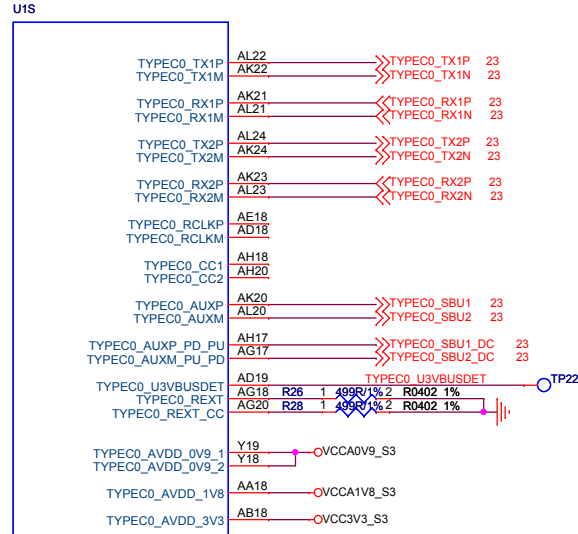
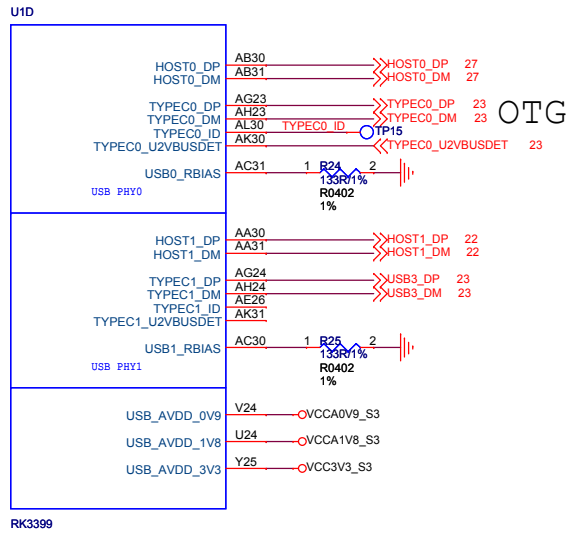
**www.t-firefly.com**

<b>Title:</b> RK3399 Flash/SDMMC Controller	
<b>File:</b> Firefly-RK3399	REV: 1.0
<b>Create Date:</b> Monday, March 28, 2016	<b>Page Num:</b> 9
<b>Modify Date:</b> Tuesday, January 03, 2017	<b>Page Total:</b> 30

# RK3399 USIC Controller



# RK3399 USB Controller



**www.t-firefly.com**

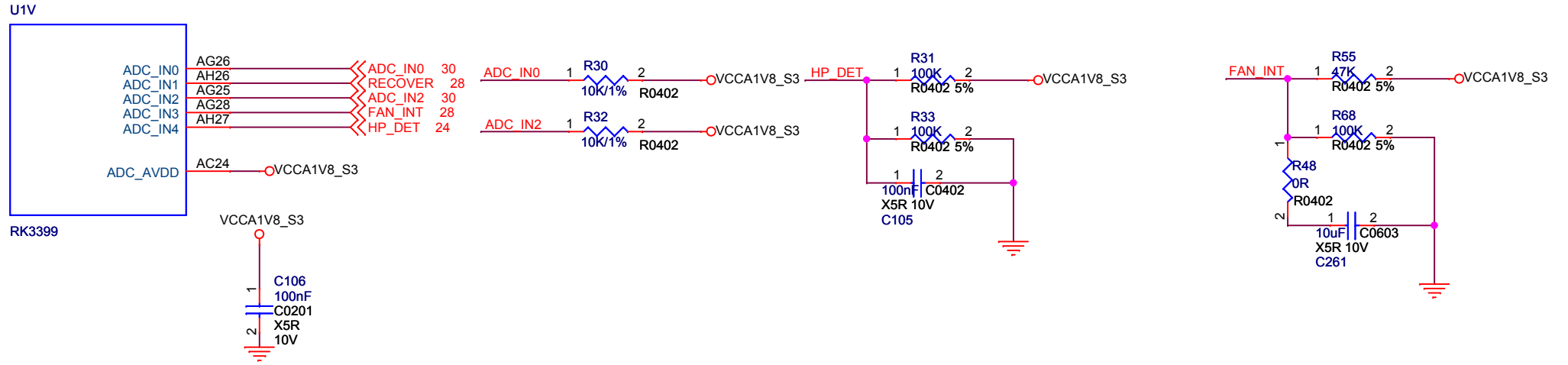
Title: **RK3399 USB/USIC Controller**

File: **Firefly-RK3399** REV: 1.0

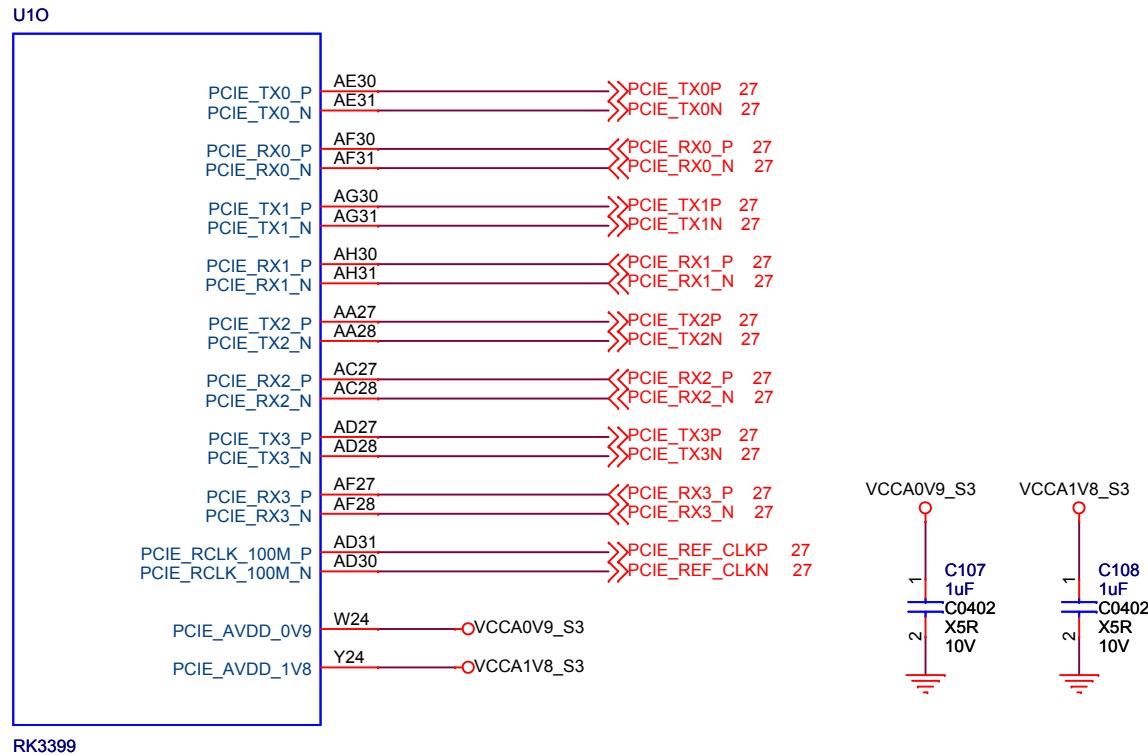

Create Date: Monday, March 28, 2016 Page Num: 10

Modify Date: Tuesday, January 03, 2017 Page Total: 30

# RK3399 SARADC



# RK3399 PCIE

**www.t-firefly.com**

**Title: RK3399 SARADC/PCIE**

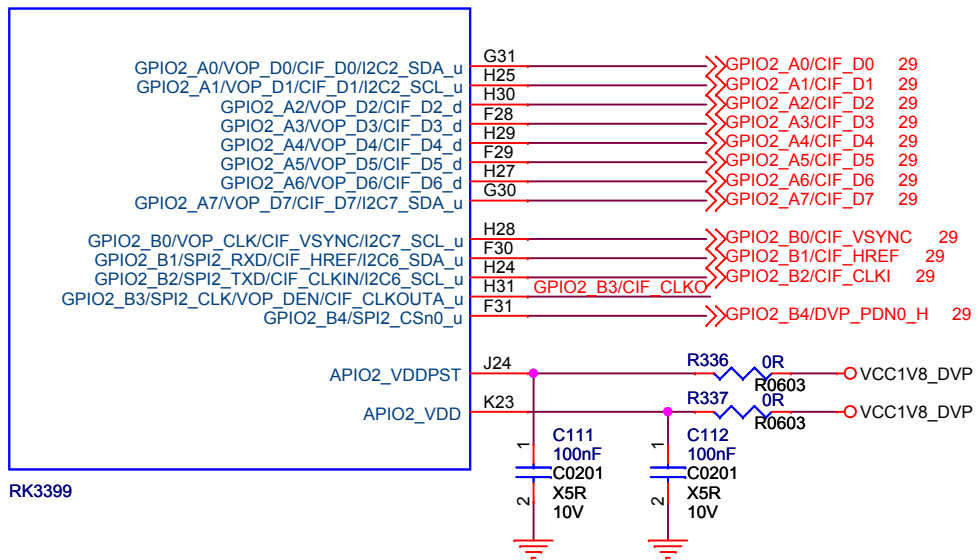
**File: Firefly-RK3399** REV: 1.0

Create Date: Monday, March 28, 2016 Page Num: 11

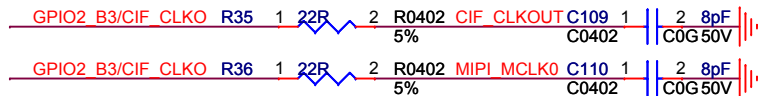
Modify Date: Tuesday, January 03, 2017 Page Total: 30

# RK3399 DVP

U1L



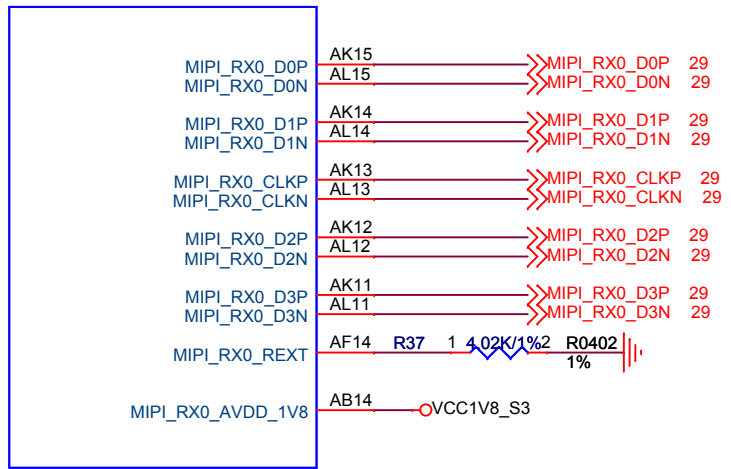
RK3399



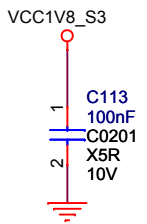
func1	func2	func3
GPIO2_A0/CIF_D0		I2C2_SDA
GPIO2_A1/CIF_D1		I2C2_SCL
GPIO2_A7/CIF_D7		I2C7_SDA
GPIO2_B0/CIF_VSYNC		I2C7_SCL
GPIO2_B1/CIF_HREF	SPI2_RXD	I2C6_SDA
GPIO2_B2/CIF_CLKI	SPI2_TXD	I2C6_SCL
GPIO2_B3/CIF_CLKO	SPI2_CLK	
GPIO2_B4/DVP_PDN0_H	SPI2_CS_n	

# RK3399 CSI

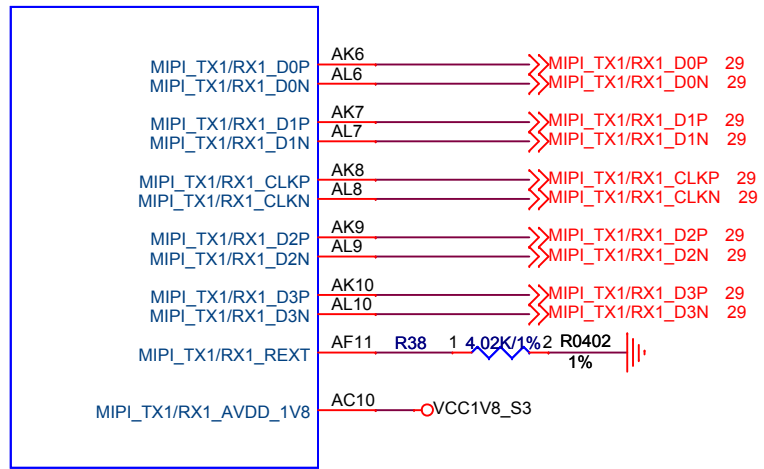
U1R



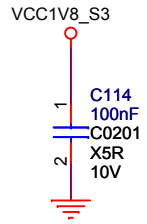
RK3399



U1P

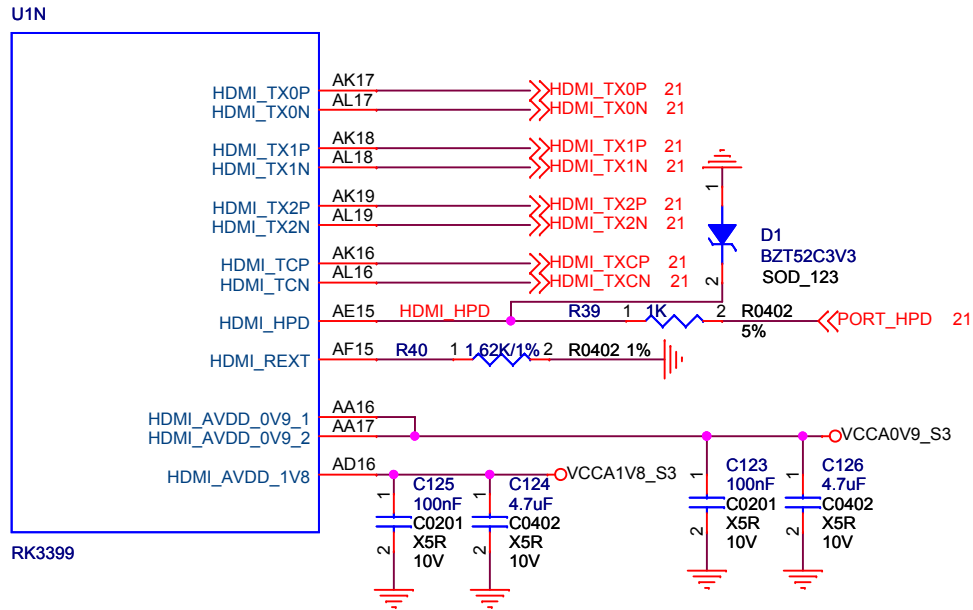


RK3399

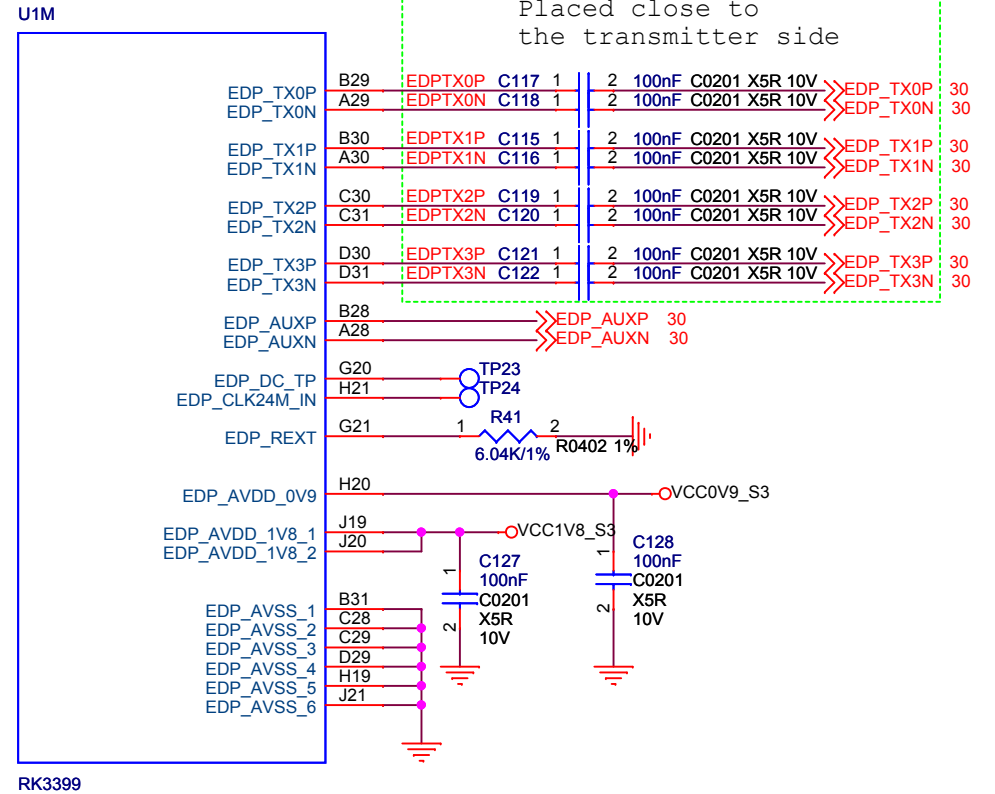


<b>Title: RK3399 Camera Interface</b>	
<b>File: Firefly-RK3399</b>	REV: 1.0
Create Date: Monday, March 28, 2016	Page Num: 12
Modify Date: Tuesday, January 03, 2017	Page Total: 30

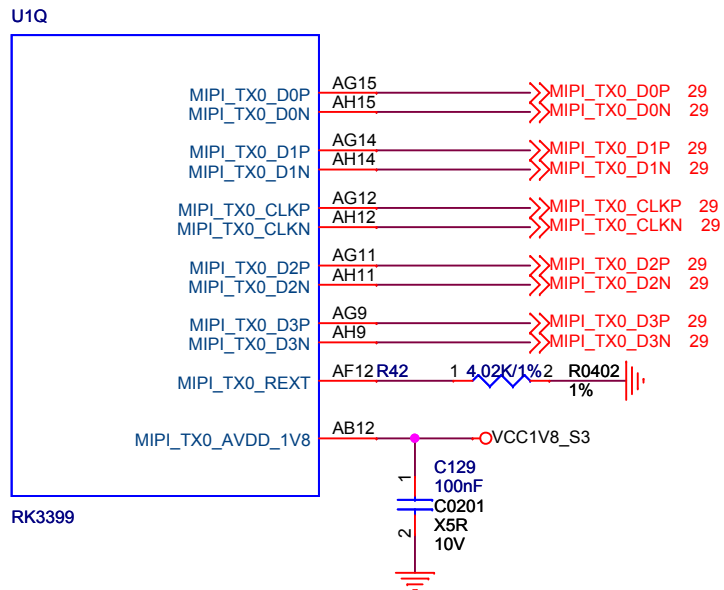
# HDMI Interface



# eDP Interface



# MIPI Interface



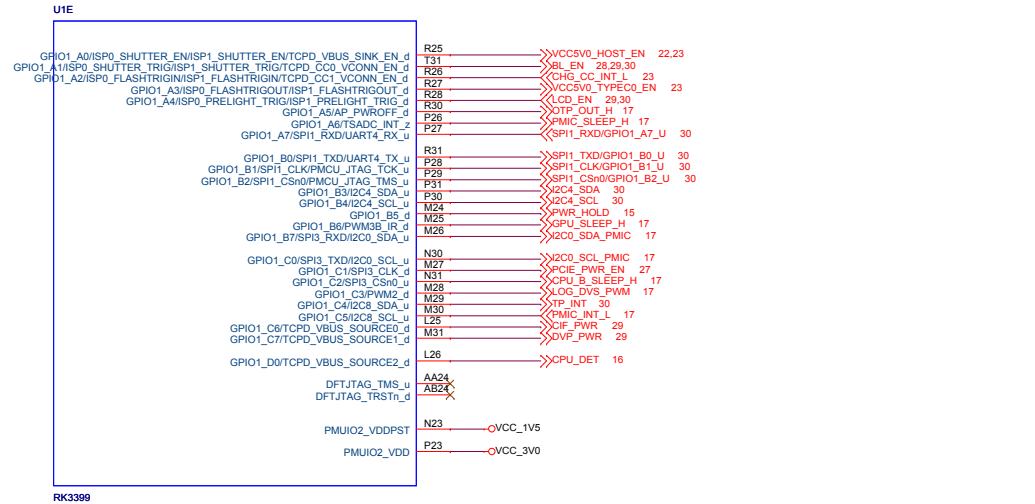
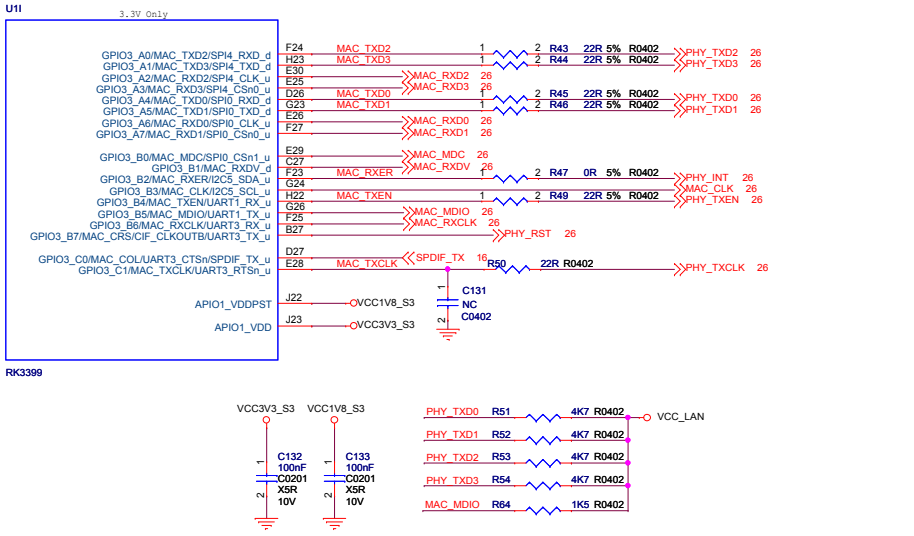
**www.t-firefly.com**

**Title: RK3399 Display Interface**

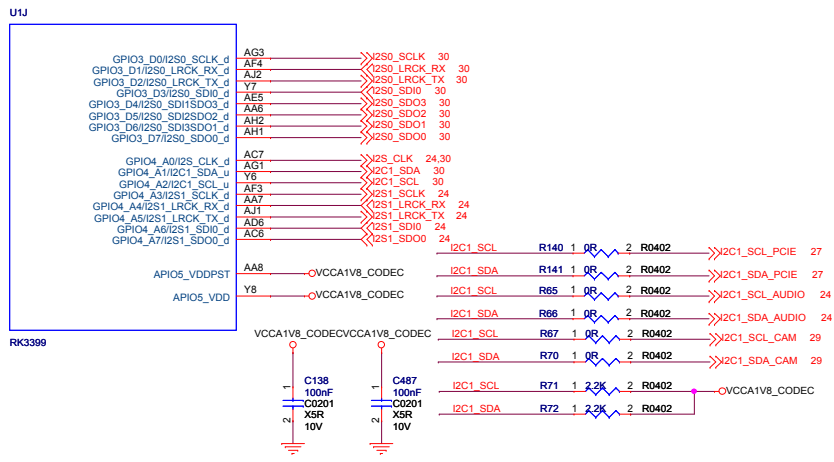
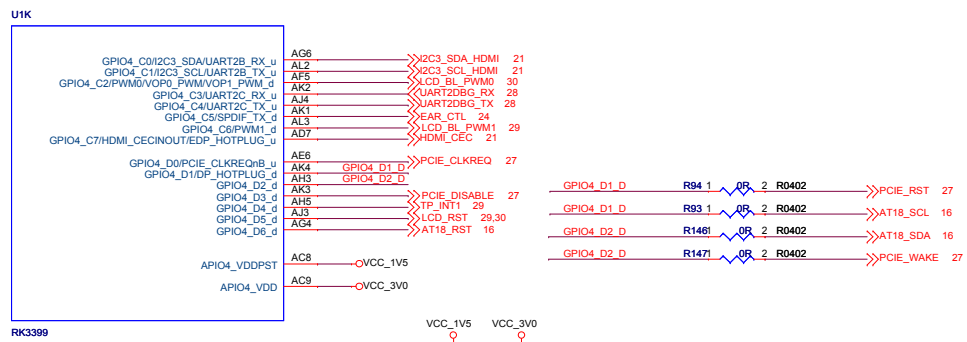
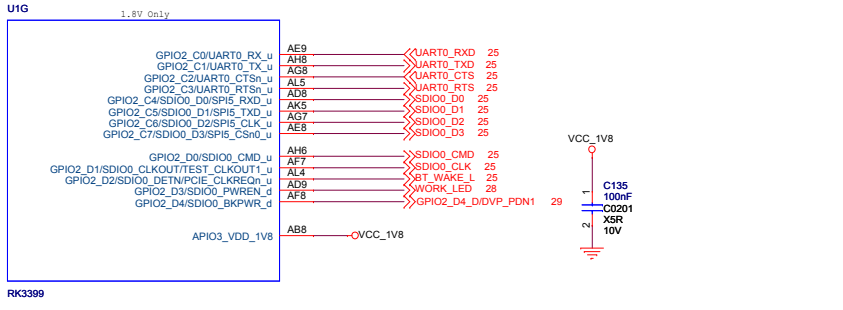
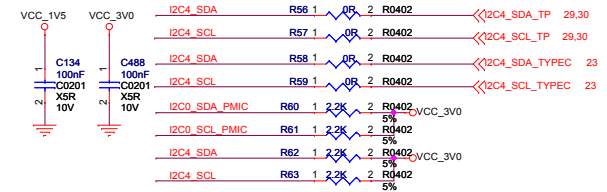
**File: Firefly-RK3399** REV: 1.0

Create Date: Monday, March 28, 2016 Page Num: 13

Modify Date: Tuesday, January 03, 2017 Page Total: 30



1.8V Only	VDDPST=VDDIO=1.8V
3.3V Only	VDDPST=1.8V, VDDIO=3.3V
other	3.0V mode: VDDPST=1.5V, VDDIO=3.0V 1.8V mode: VDDPST=1.8V, VDDIO=1.8V



**www.t-firefly.com**

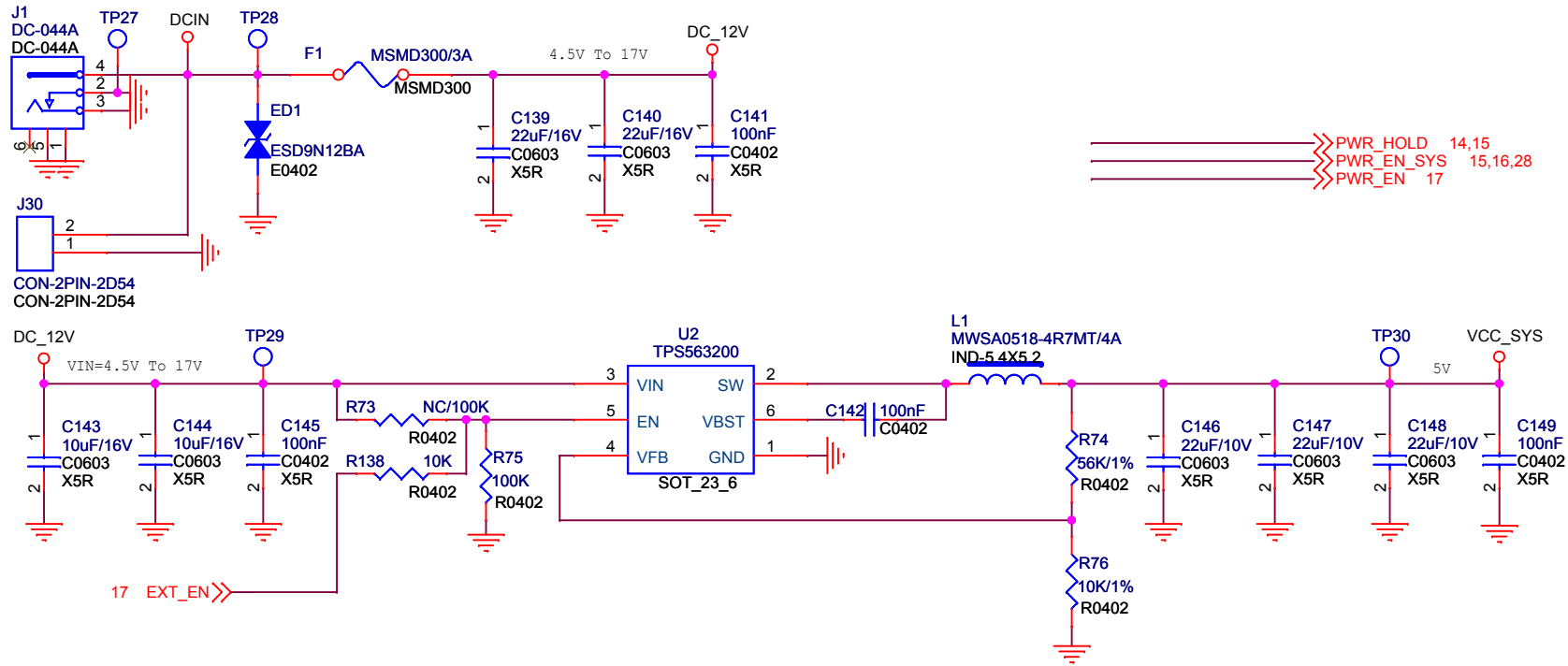
**Title: RK3399 GPIO**

**File: Firefly-RK3399**

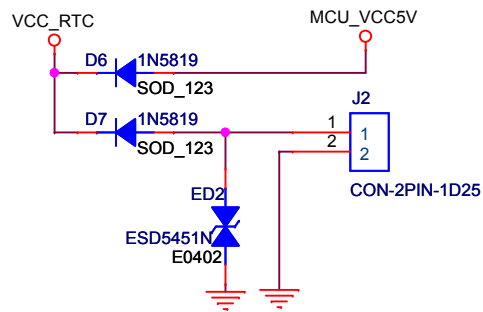
Create Date: Monday, March 28, 2016 Page Num: 14

Modify Date: Wednesday, February 08, 2017 Page Total: 30

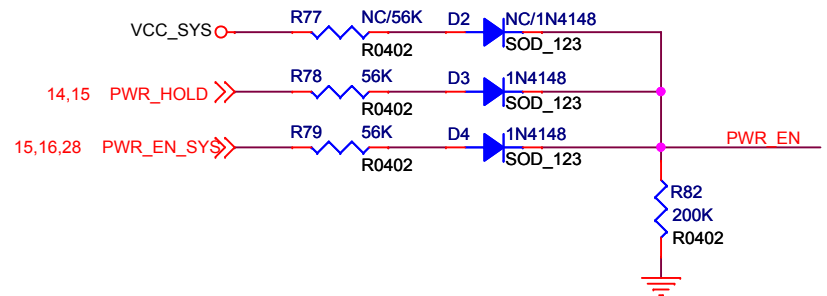
# DC\_IN



# RTC\_BAT

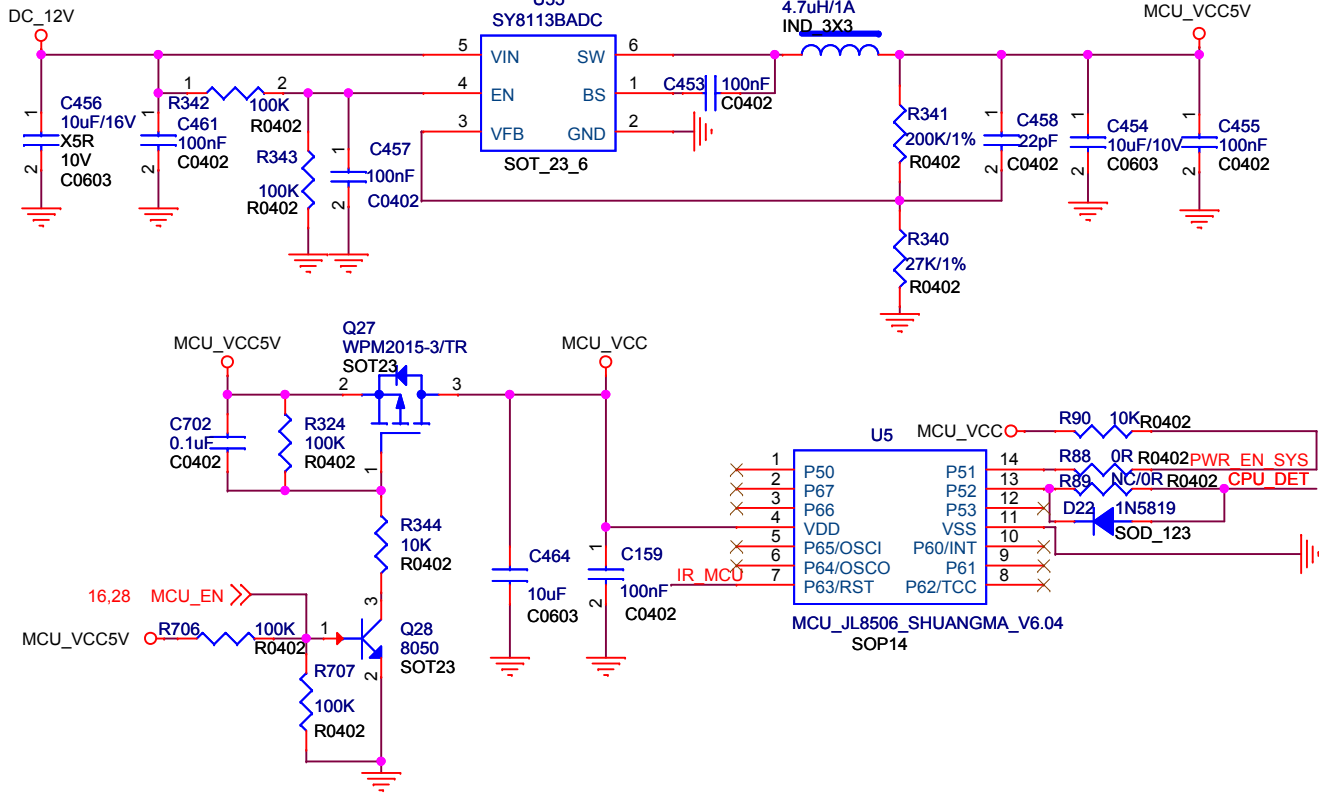


# PWR\_EN

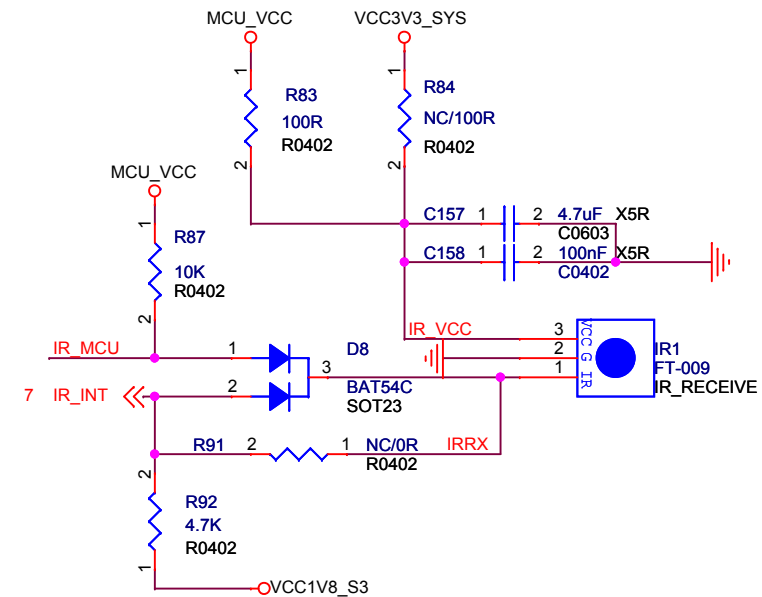


<b>Title:</b> DC IN/RTC	
<b>File:</b> Firefly-RK3399	REV: 1.0
<b>Create Date:</b> Monday, April 18, 2016	<b>Page Num:</b> 15
<b>Modify Date:</b> Tuesday, January 03, 2017	<b>Page Total:</b> 30

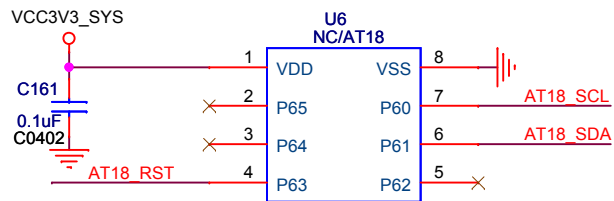
# MCU



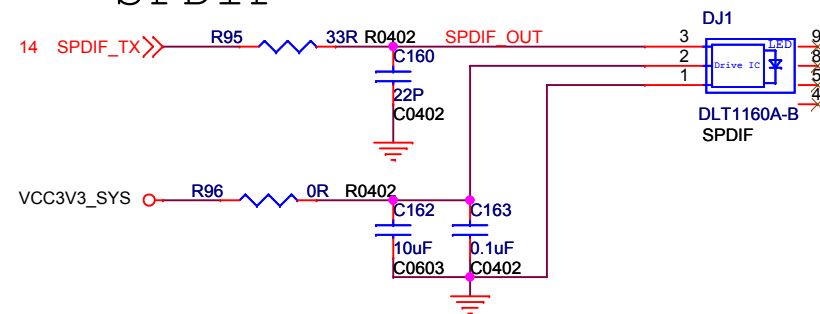
# IR Receiver




# AT18



# SPDIF

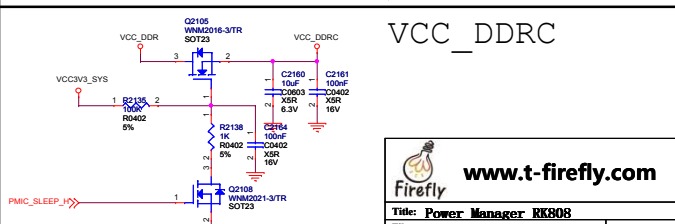
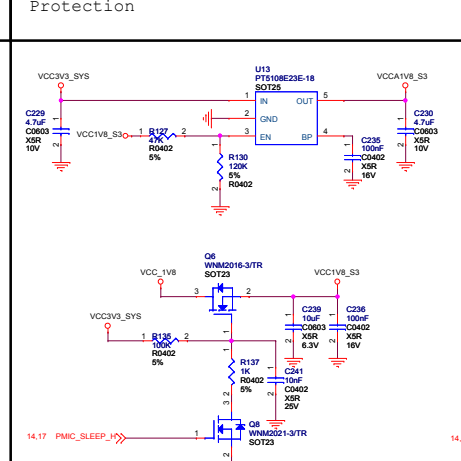
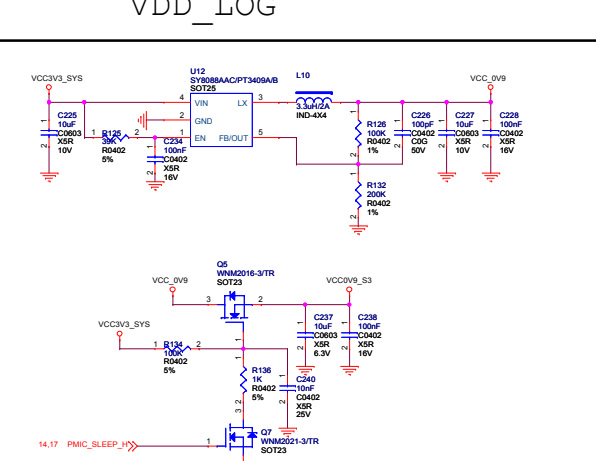
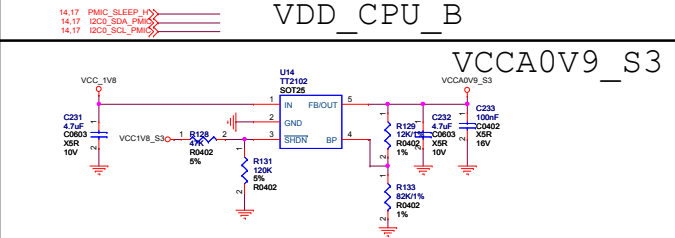
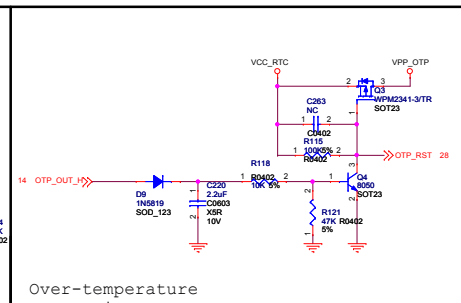
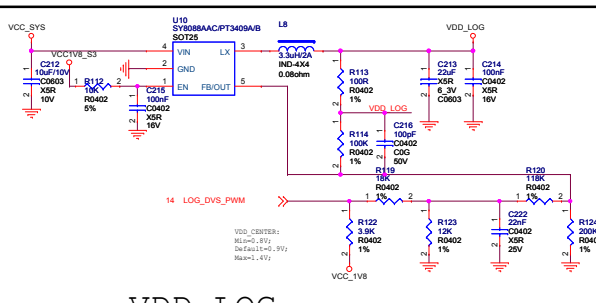
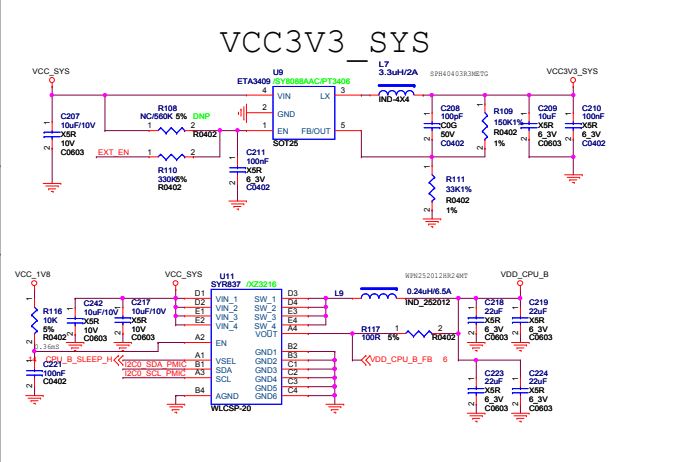
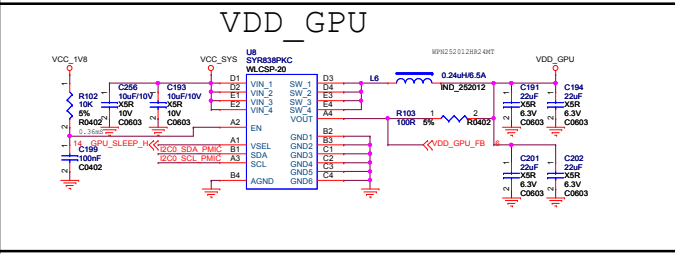
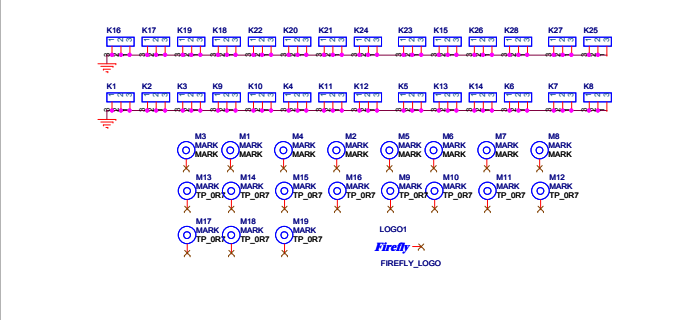
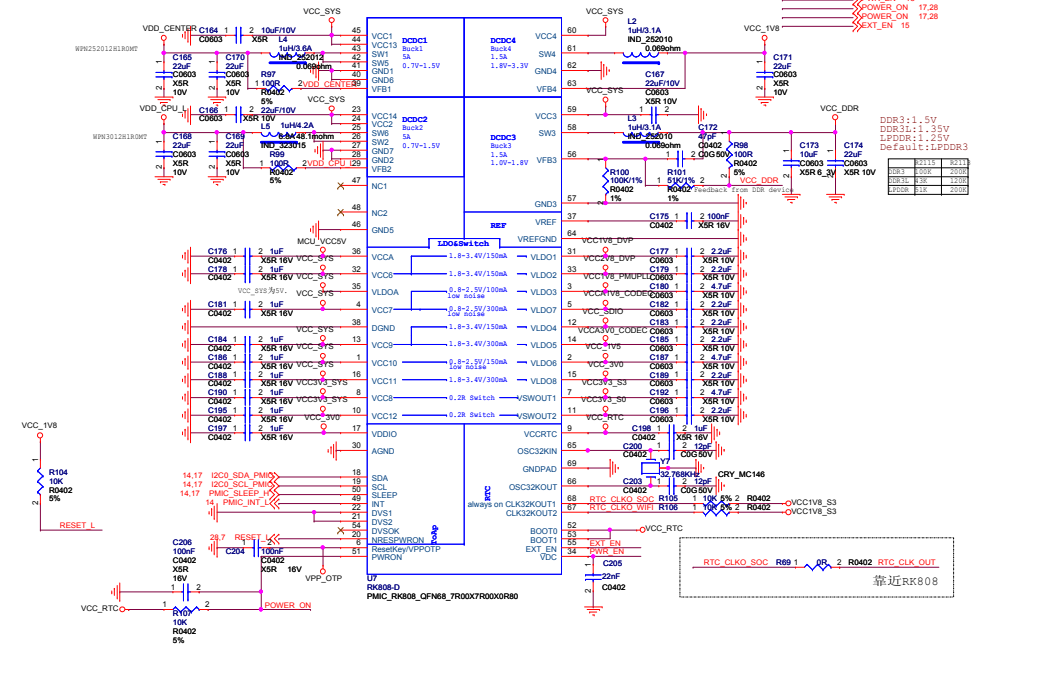




**www.t-firefly.com**

<b>Title:</b> IR/SPDIF/AT18	
<b>File:</b> Firefly-RK3399	REV: 1.0
<b>Create Date:</b> Tuesday, June 21, 2016	<b>Page Num:</b> 16
<b>Modify Date:</b> Tuesday, January 03, 2017	<b>Page Total:</b> 30

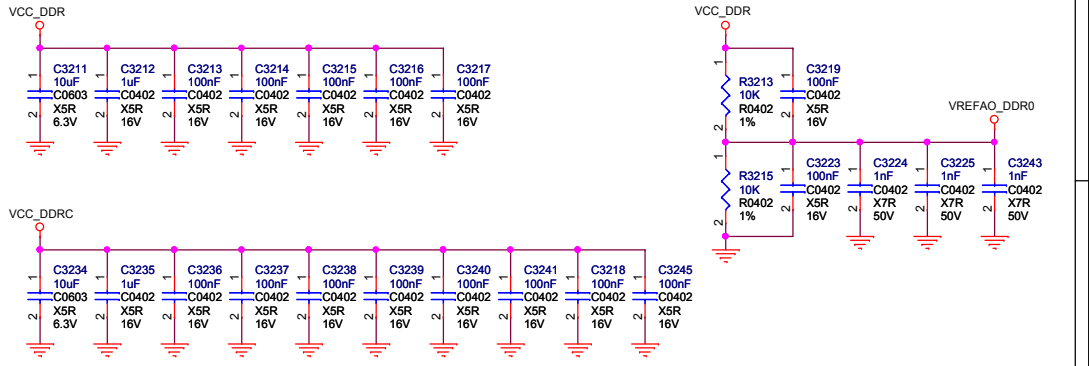
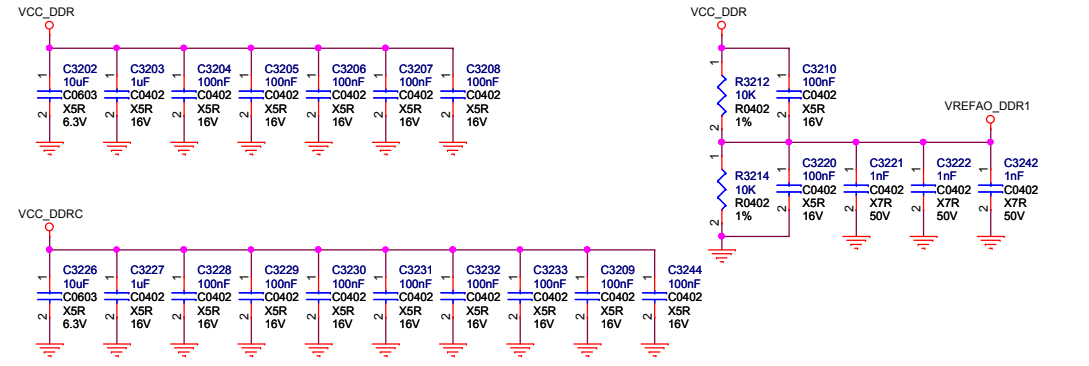
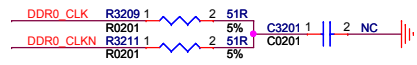
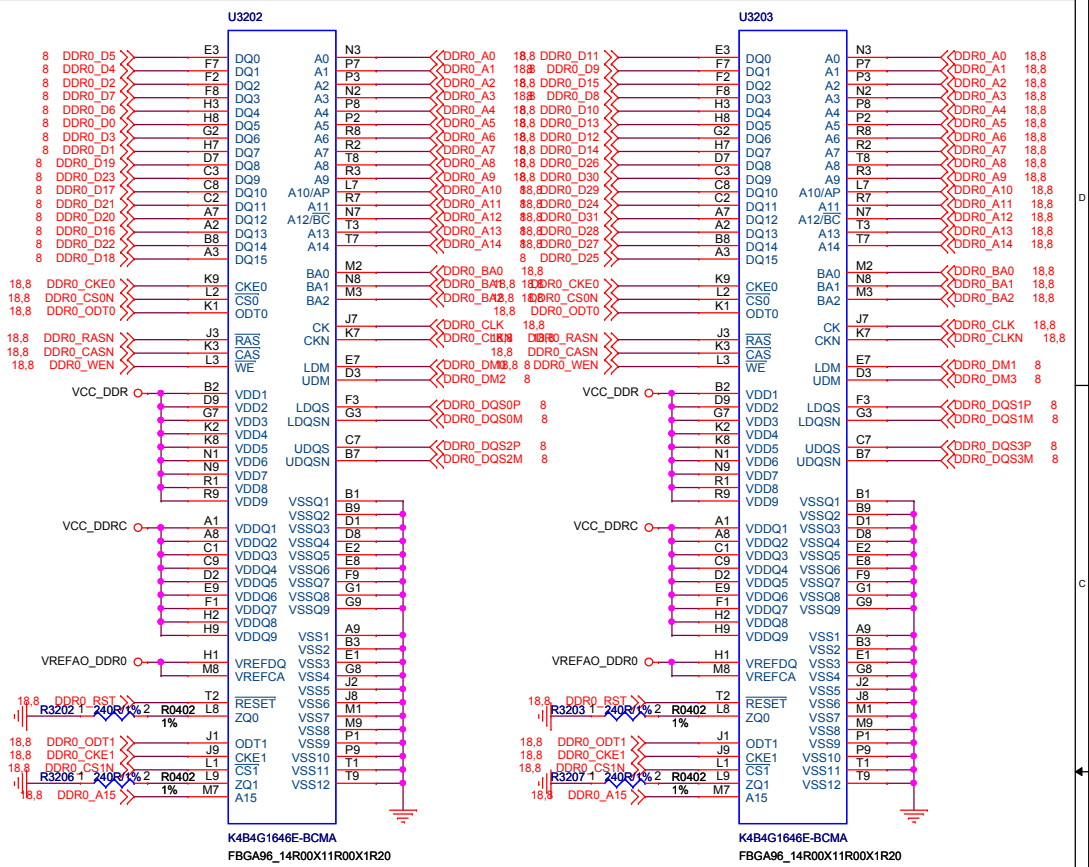
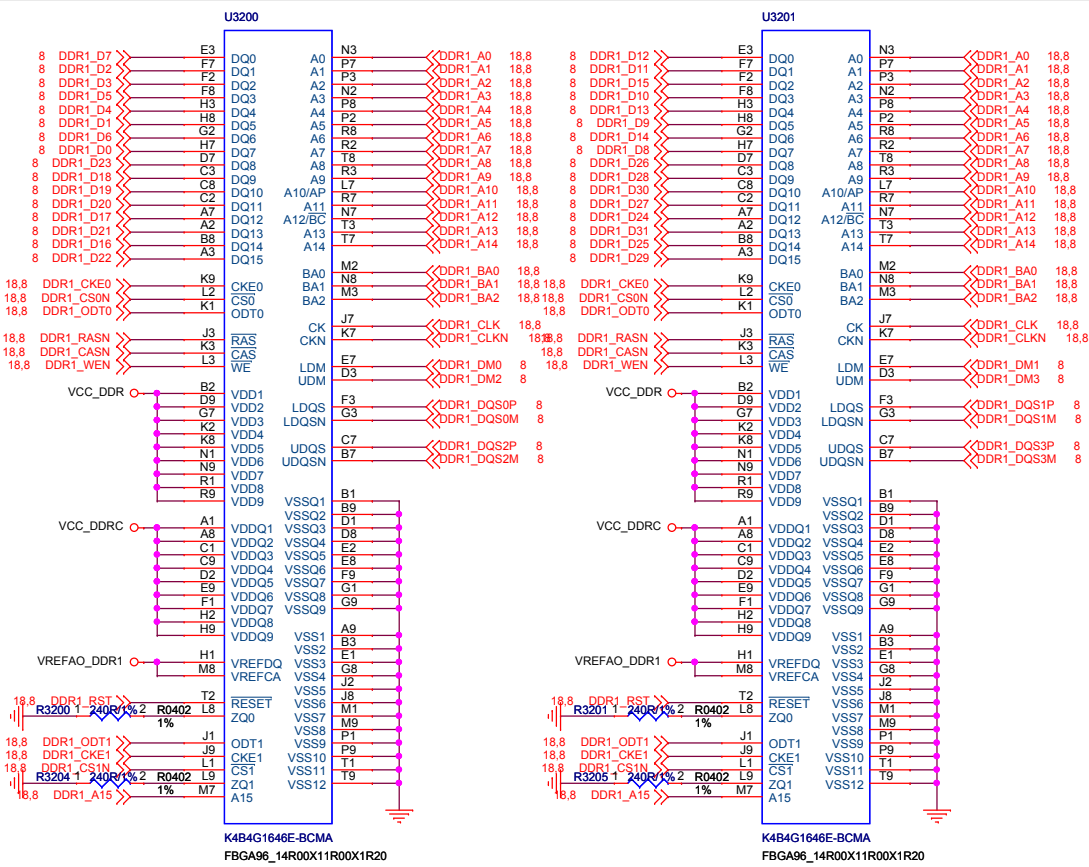




**Firefly**  
www.t-firefly.com

Title: Power Manager RK808  
File: Firefly-RE3509  
Create Date: Monday, March 28, 2016  
Modify Date: Wednesday, February 08, 2017

REV: 1.0  
Page Num: 17  
Page Total: 30

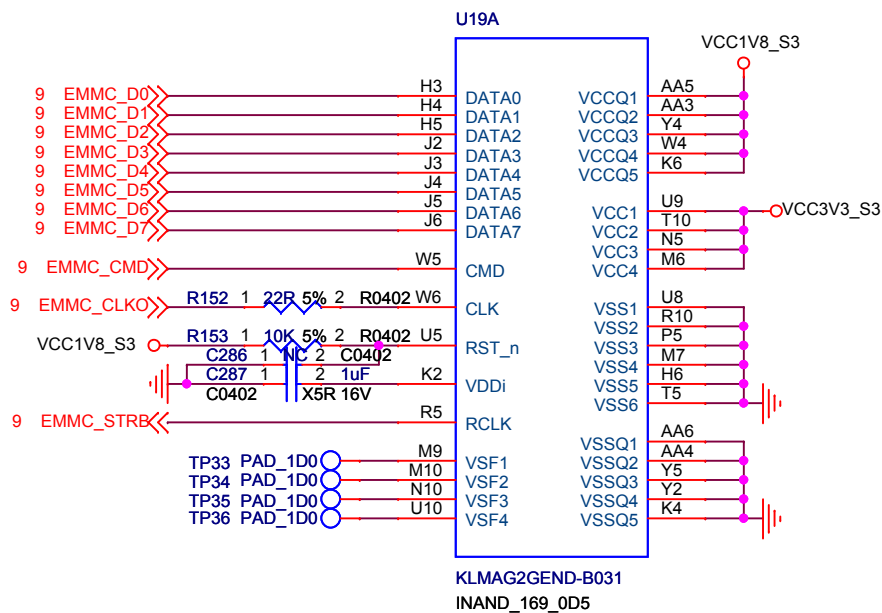


RAM-DDR3

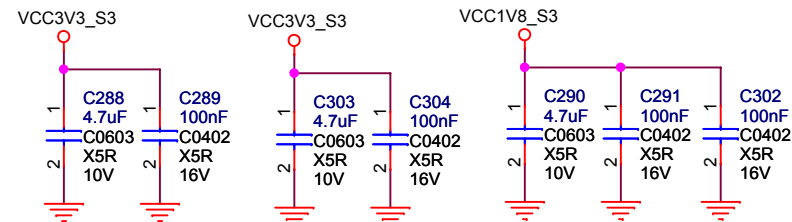
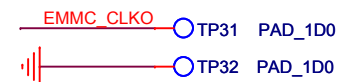



Title: RAM-DDR3 4x16bit		REV: I.0
File: Firefly-RK3399		
Create Date: Thursday, June 16, 2016	Page Num: 18	
Modify Date: Tuesday, January 03, 2017	Page Total: 30	

# eMMC FLASH



Note:  
Reserve PAD for Update.

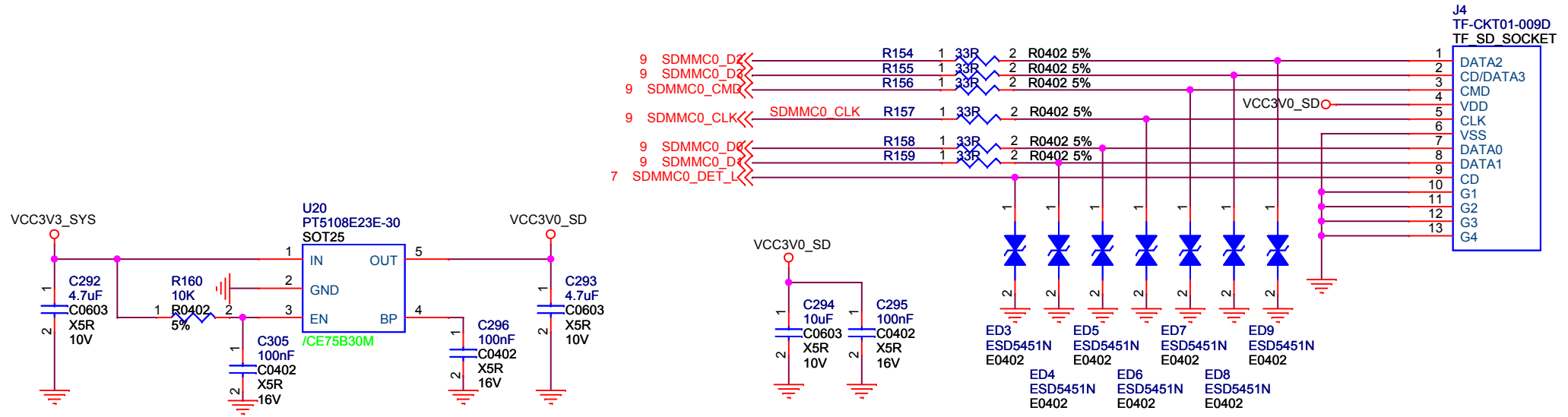




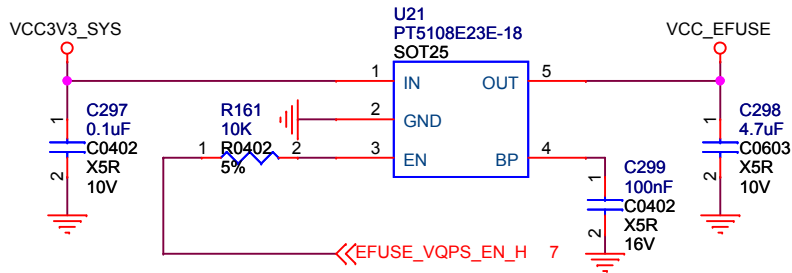
**www.t-firefly.com**

<b>Title: Memory-eMMC</b>	
<b>File: Firefly-RK3399</b>	REV: 1.0
Create Date: Monday, March 28, 2016	Page Num: 19
Modify Date: Tuesday, January 03, 2017	Page Total: 30

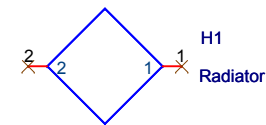
# TF CARD




# EFUSE



# Radiator

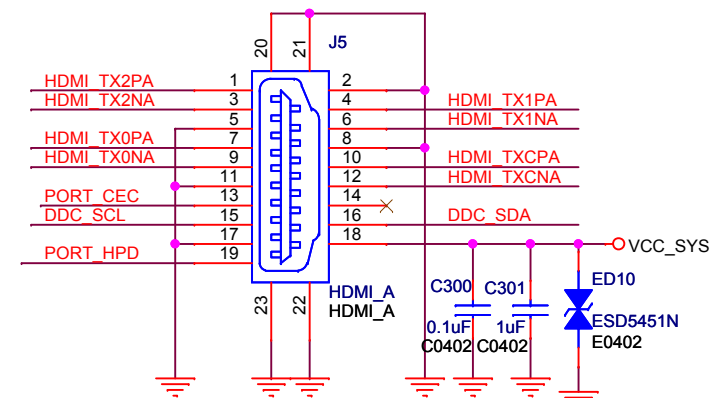
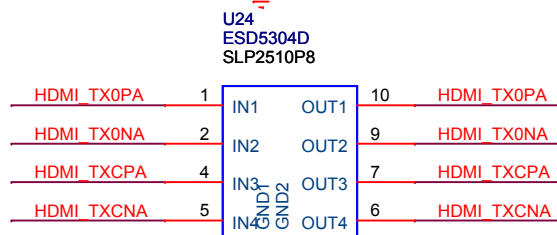
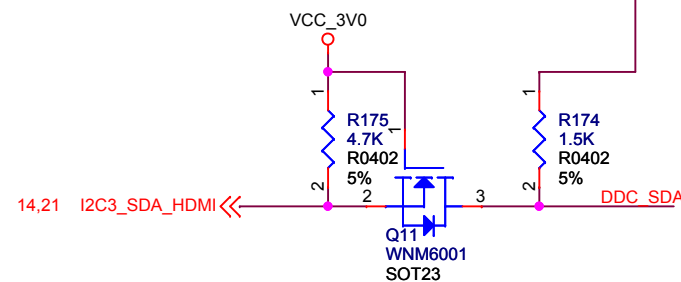
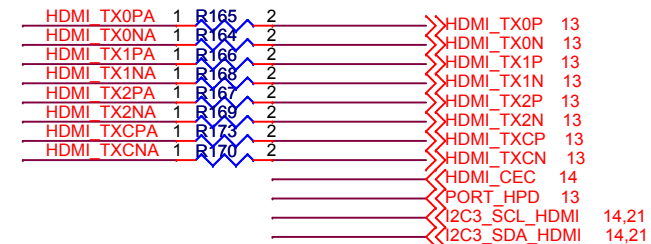
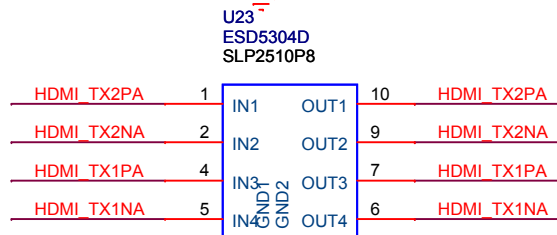
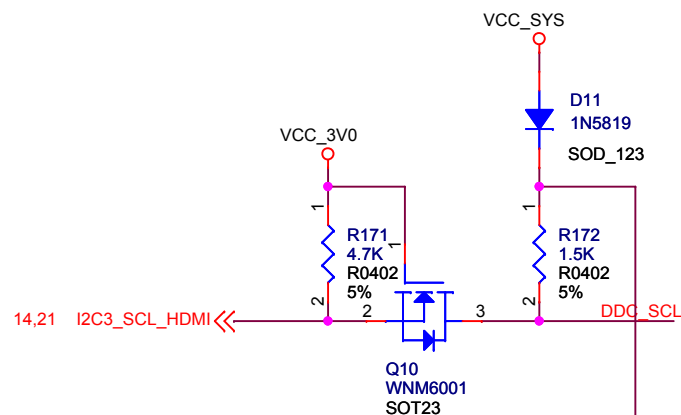
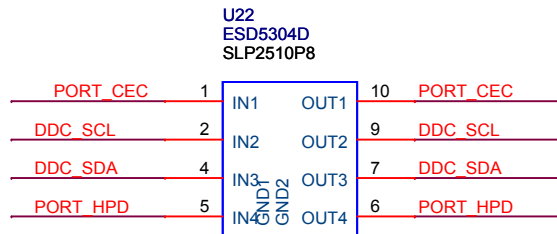
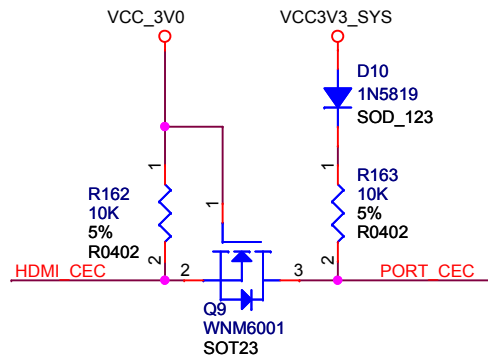




**www.t-firefly.com**

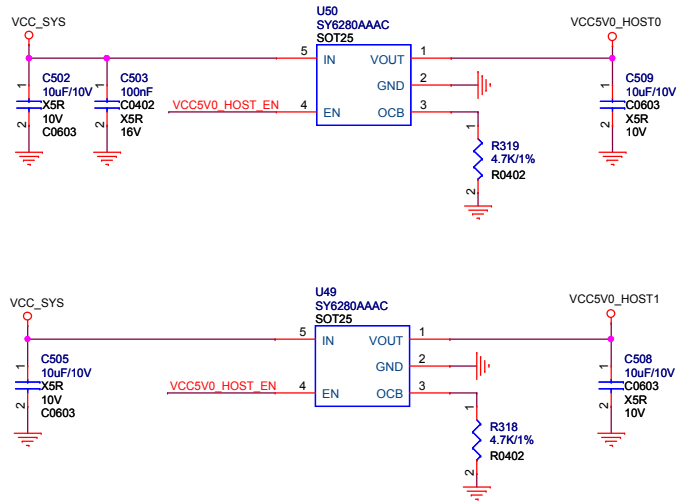
<b>Title: TF Card/EFUSE</b>	
<b>File: Firefly-RK3399</b>	REV: 1.0
Create Date: Wednesday, March 30, 2016	Page Num: 20
Modify Date: Wednesday, February 08, 2017	Page Total: 30

# HDMI Port

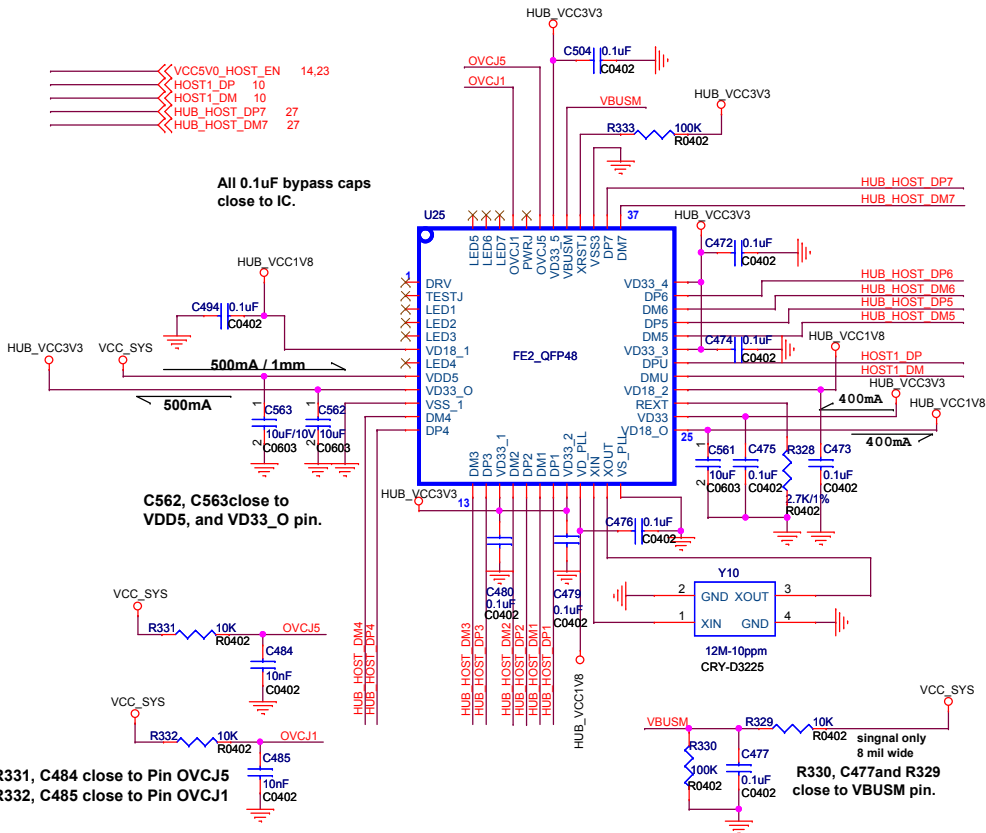


<b>Title:</b> HDMI Port	
<b>File:</b> Firefly-RK3399	REV: 1.0
<b>Create Date:</b> Monday, March 28, 2016	<b>Page Num:</b> 21
<b>Modify Date:</b> Tuesday, January 03, 2017	<b>Page Total:</b> 30

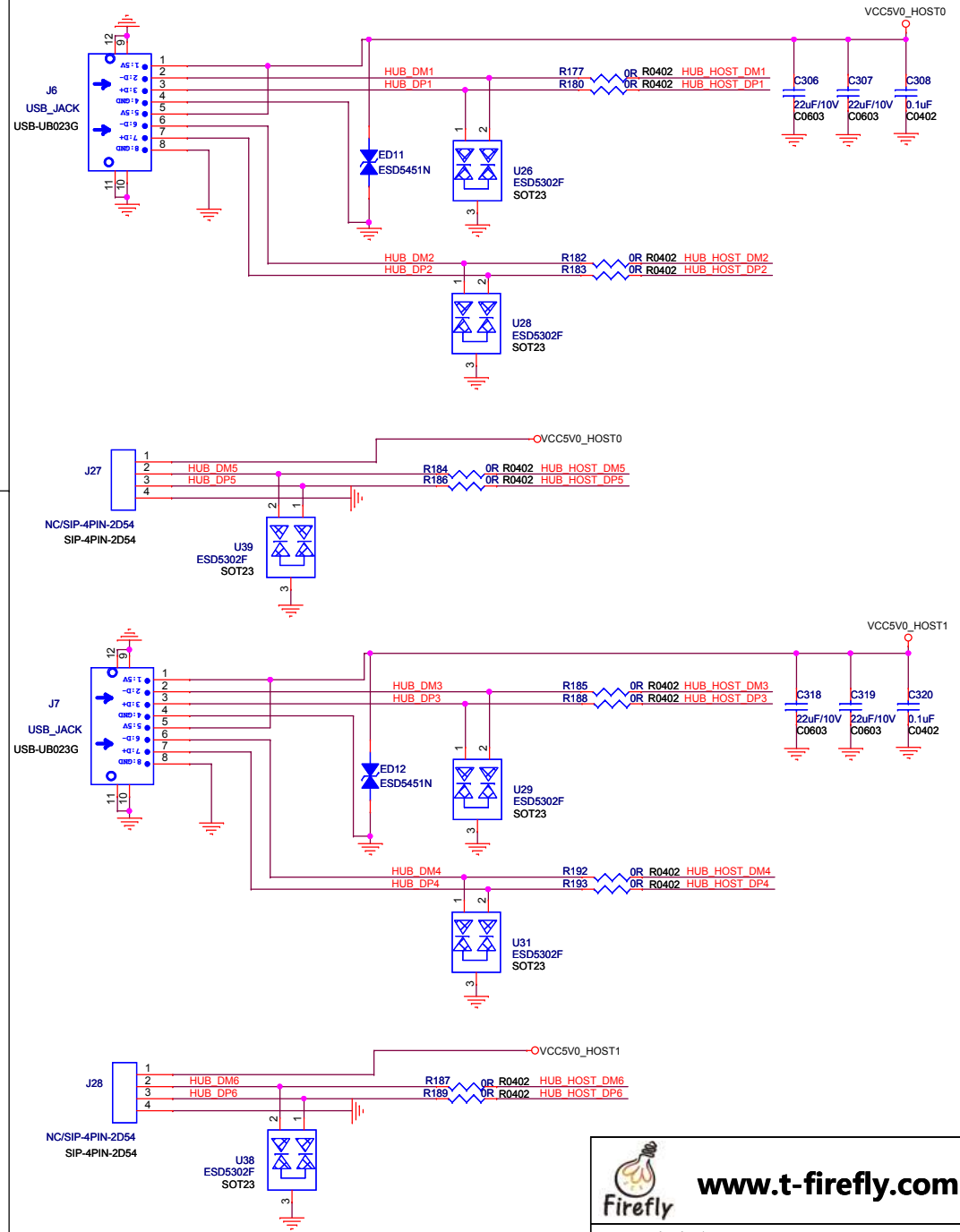
# HOST POWER



# HUB



# HOST PORT/USB2.0



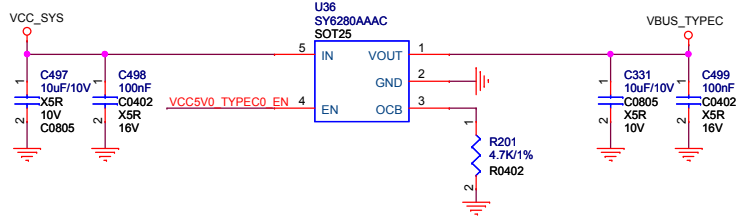
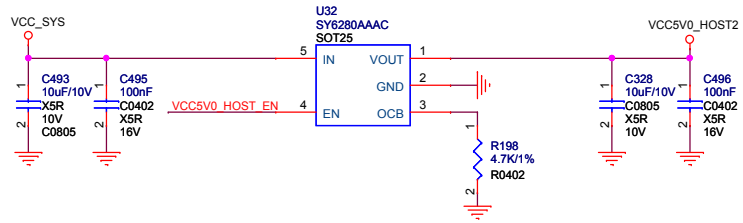
**www.t-firefly.com**

**Title: USB2.0 Port**  
**File: Firefly-RK3399**

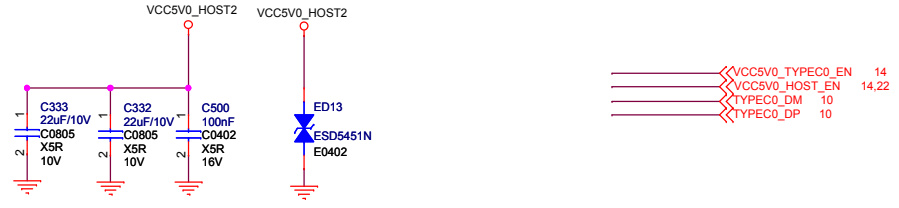
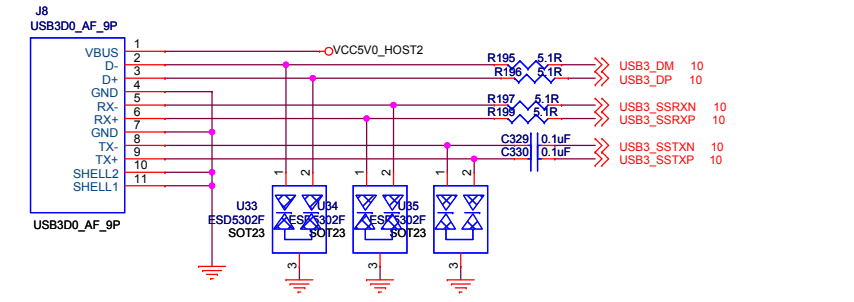
Create Date: Friday, April 29, 2016	Page Num: 22
Modify Date: Tuesday, January 03, 2017	Page Total: 30

REV: 1.0

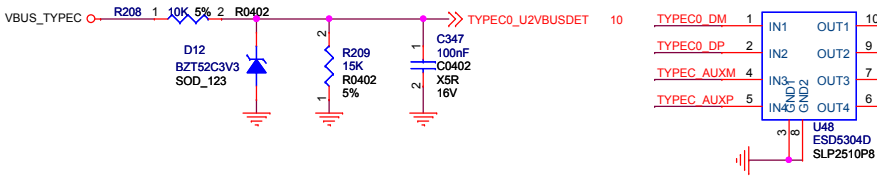
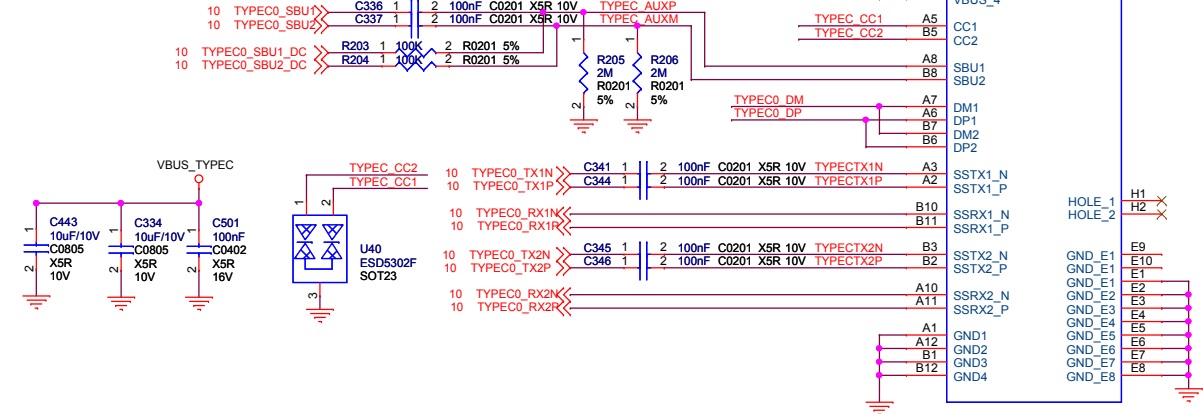
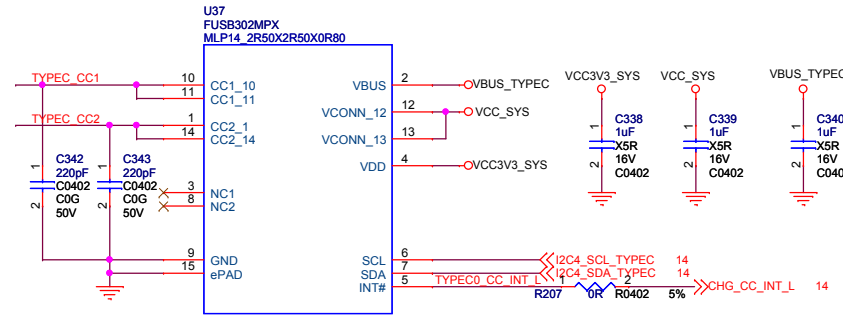
# HOST POWER




# HOST PORT/USB3.0



# TYPEC

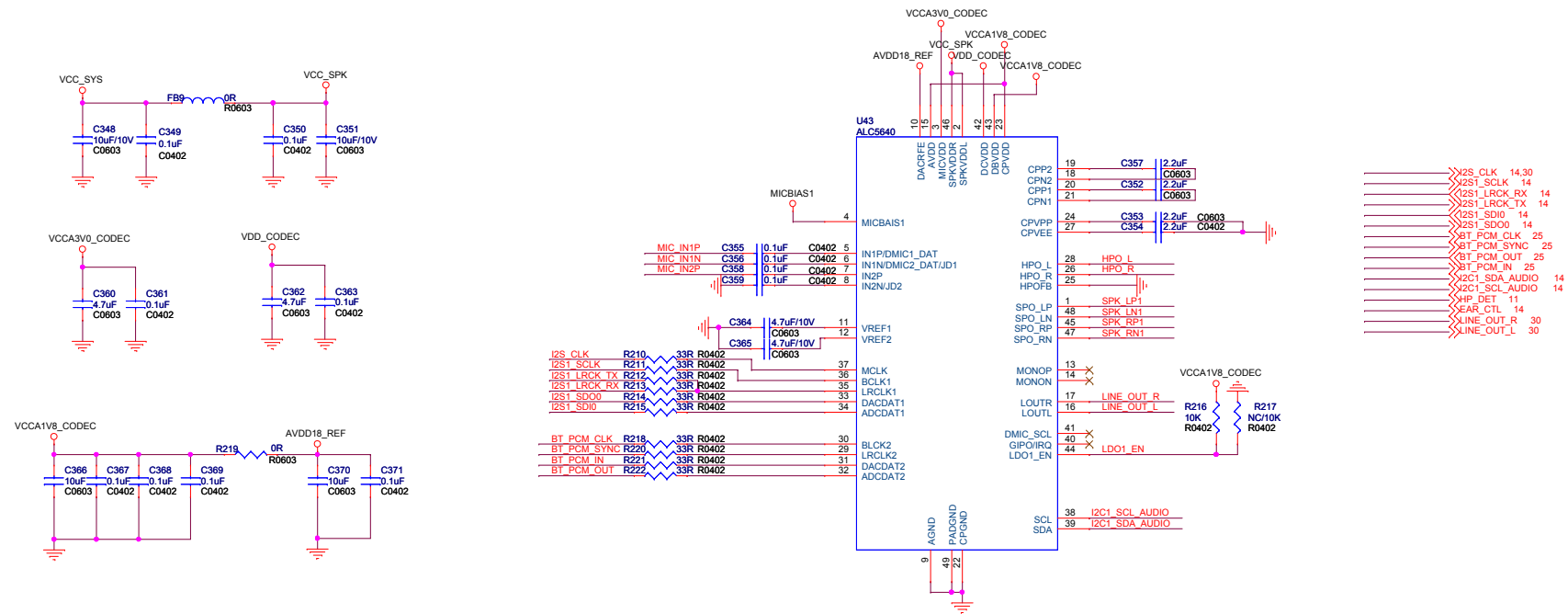




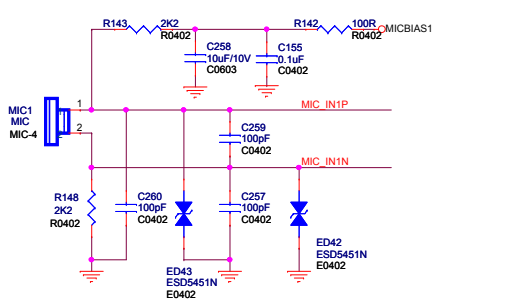
**www.t-firefly.com**

<b>Title: TYPE-C0/USB3.0 Port</b>	
<b>File: Firefly-RK3399</b>	REV: 1.0
Create Date: Monday, March 28, 2016	Page Num: 23
Modify Date: Tuesday, January 03, 2017	Page Total: 30

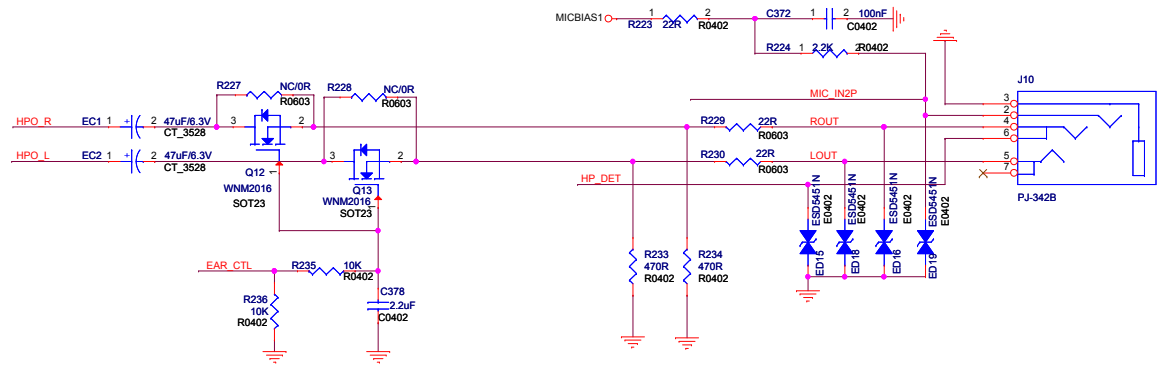
# CODEC



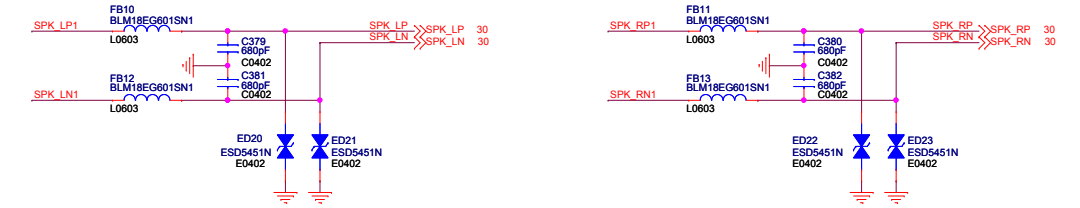
# MIC




# EARPHONE



# SPEAKER




[www.t-firefly.com](http://www.t-firefly.com)

**Title: Audio Codec-ALC5640**  
**File: Firefly-RK3399**

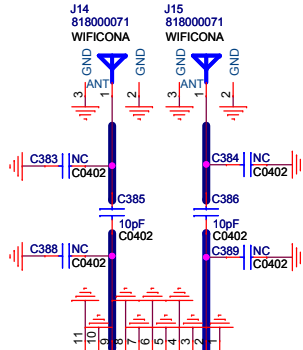
Create Date: Thursday, June 16, 2016	Page Num: 24
Modify Date: Tuesday, January 03, 2017	Page Total: 30

REV: 1.0

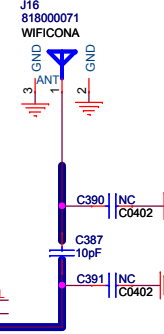


# WIFI/BT MODULE

## Dual ANT1 Dual ANTO

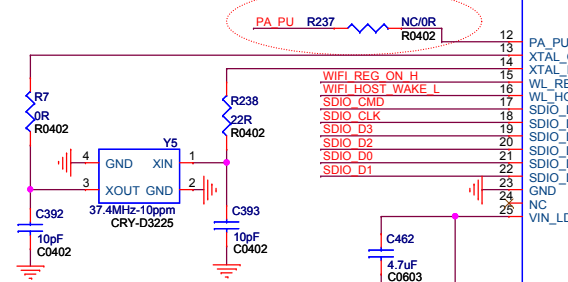


## 2.4G ANT

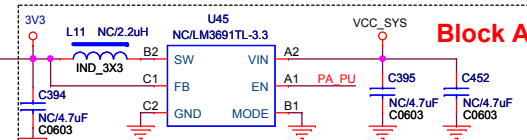
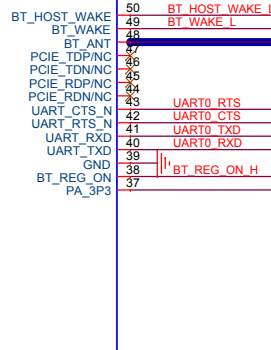


50 Ohm RF trace

NOTE: Default is AP6354/AP6356S/AP6359S, If using AP62X2, module pin12 is connected.



- 12 PA\_PU
- 13 XTAL\_OUT
- 14 XTAL\_IN
- 15 WL\_REG\_ON
- 16 WL\_HOST\_WAKE
- 17 SDIO\_CMD
- 18 SDIO\_CLK
- 19 SDIO\_D3
- 20 SDIO\_D2
- 21 SDIO\_D0
- 22 SDIO\_DATA\_0
- 23 SDIO\_DATA\_1
- 24 GND
- 25 NC
- 26 VIN\_LDO



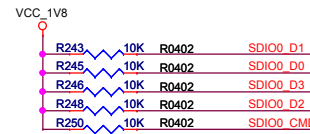
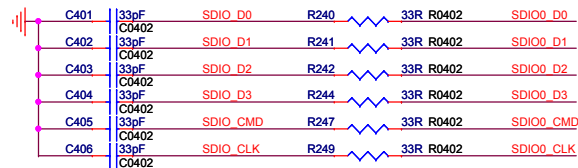
External Buck Vout 3V3 or LDO Vout 3V3 for AP62X2  
NOTE: The output current limit must be larger than 700mA for internal PA, if using AP62X2.


NOTE: L1, rated current 1A expectation specification.

Note: VBAT电压范围 3.0V~4.8V, 供电电流至少400mA

NOTE: Default is AP6354/AP6356S/AP6359S, If using AP62X2, block A components is need.

- >> BT\_PCM\_OUT 24
- >> BT\_PCM\_IN 24
- >> BT\_PCM\_CLK 24
- >> BT\_PCM\_SYNC 24
- >> SDIO\_D0 14
- >> SDIO\_D1 14
- >> SDIO\_D2 14
- >> SDIO\_D3 14
- >> SDIO\_CMD 14
- >> SDIO\_CLK 14
- >> UART0\_RTS 14
- >> UART0\_TXD 14
- >> UART0\_RXD 14
- >> UART0\_CTS 14
- >> RTC\_CLKO\_WIFI 17
- >> BT\_HOST\_WAKE\_L 17
- >> BT\_WAKE\_L 14
- >> BT\_REG\_ON\_H 7
- >> WIFI\_REG\_ON\_H 7
- >> WIFI\_HOST\_WAKE\_L 7



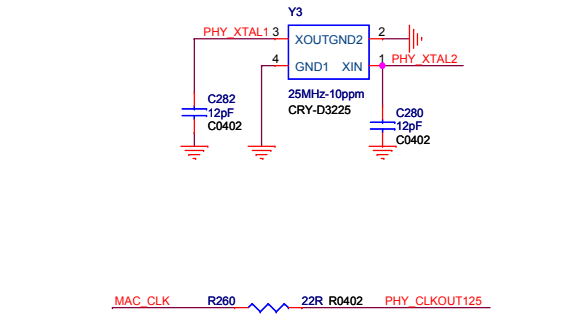
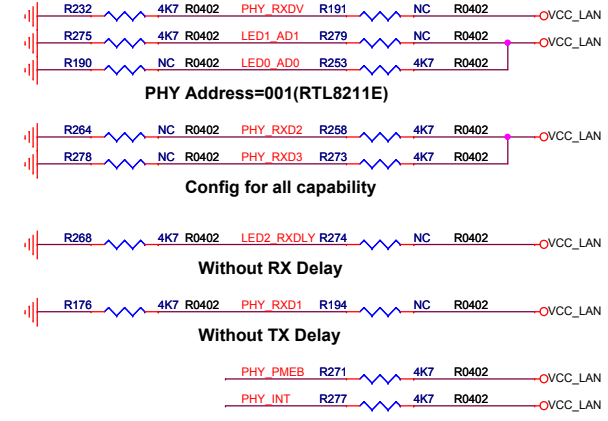
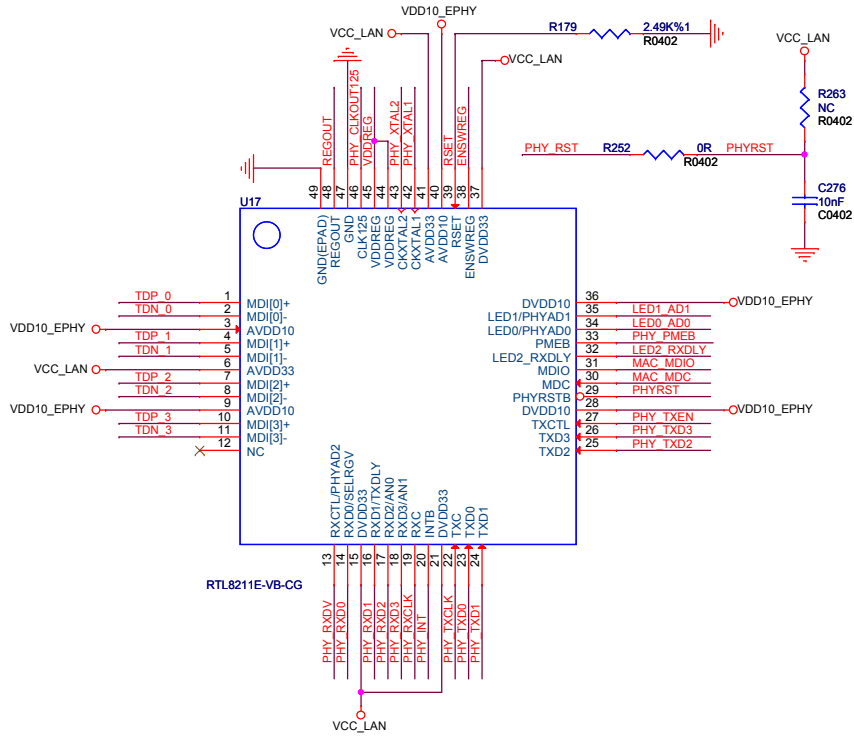
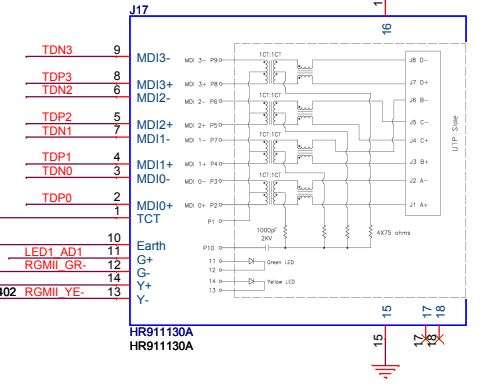
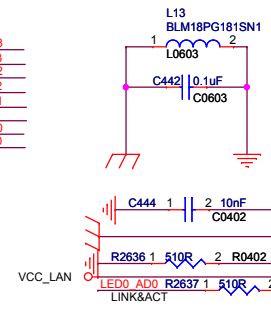
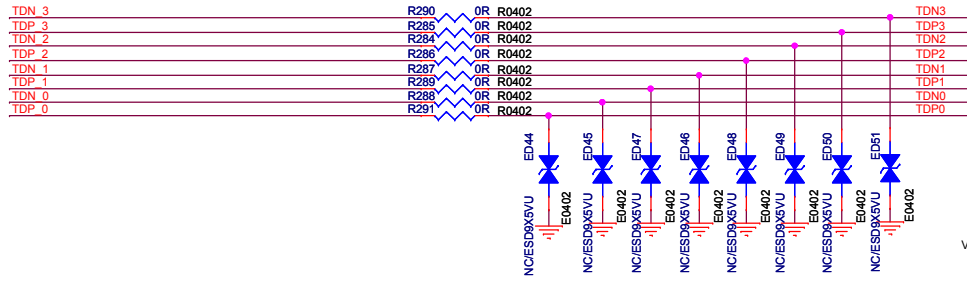
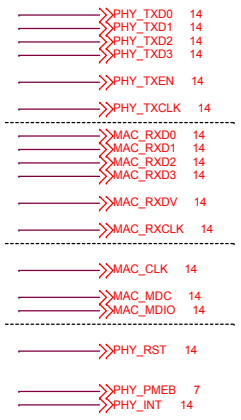
 **www.t-firefly.com**

Title: **WIFI/BT-AP6356S**

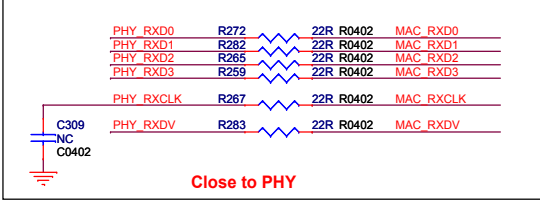
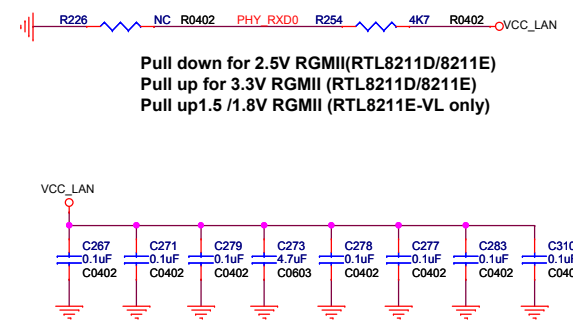
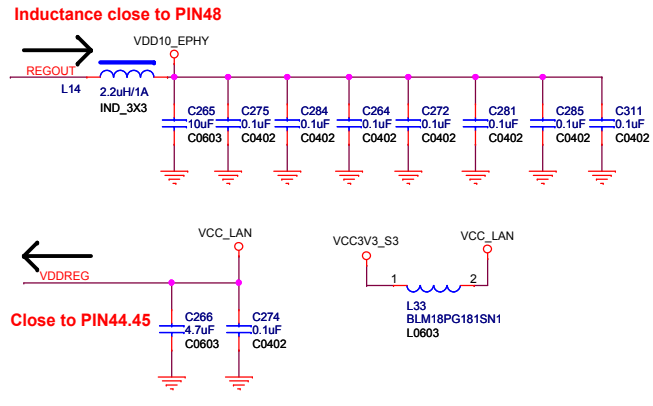
File: **Firefly-RK3399** REV: 1.0

Create Date: Monday, June 20, 2016 Page Num: 25

Modify Date: Friday, January 13, 2017 Page Total: 30

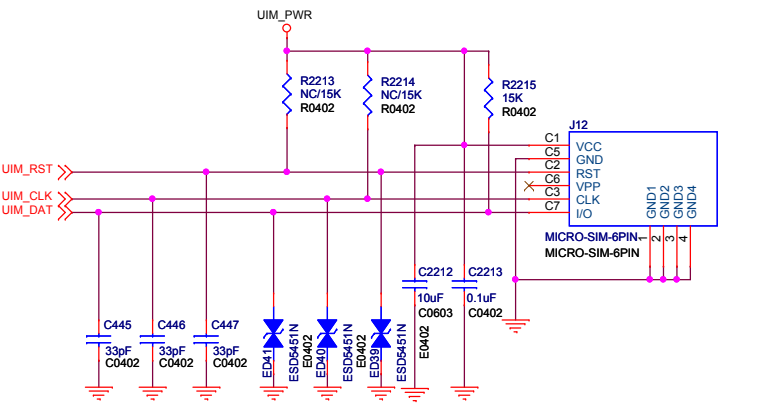
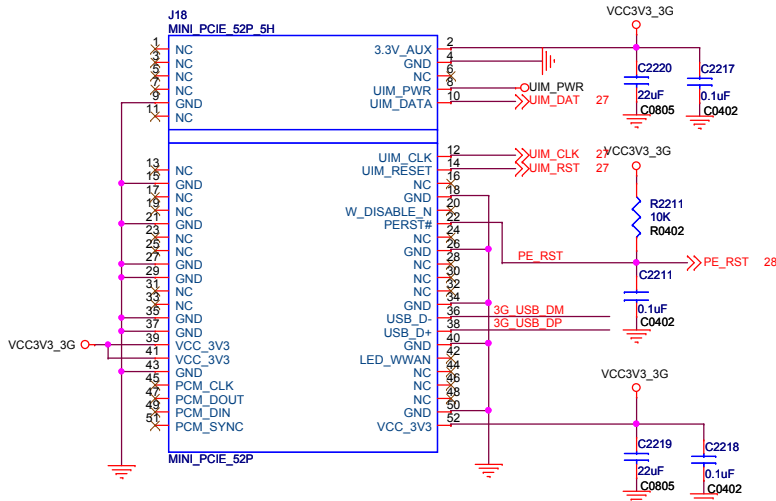
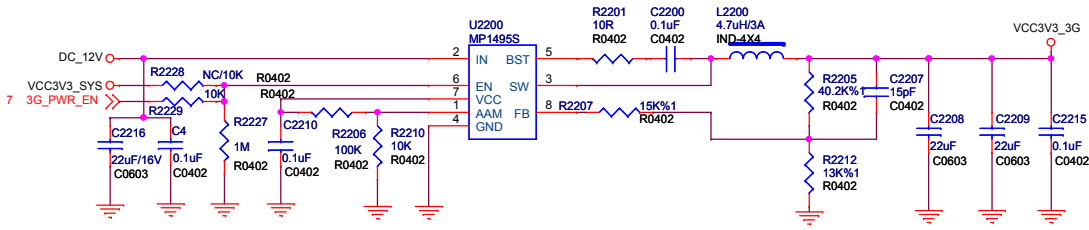


Connect ENSWREG to AVDD33 to enable Switching regulator or connect ENSWREG to GND to disable Switching regulator.

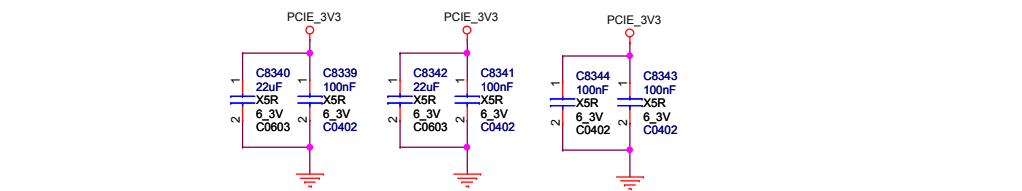
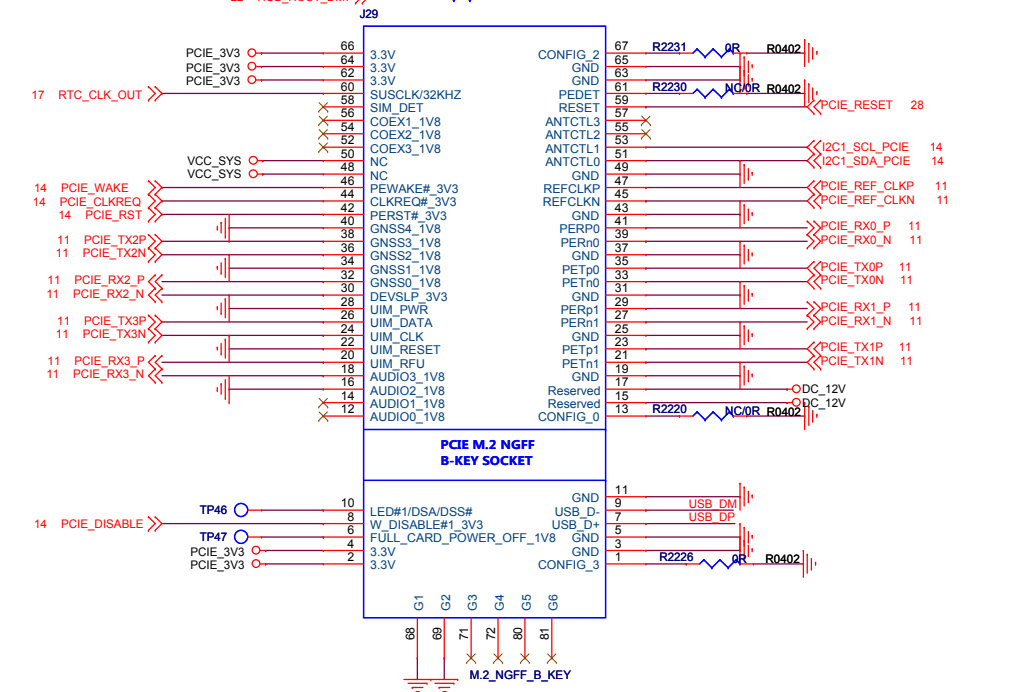
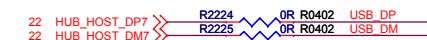
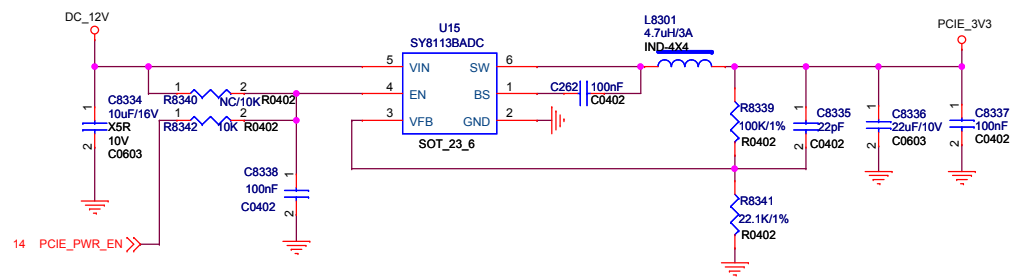



Firefly www.t-firefly.com  
Title: RT45-1000M-RTL8211E  
File: Firefly-RK3399  
REV: 1.0  
Create Date: Monday, April 18, 2016 Page Num: 26  
Modify Date: Tuesday, January 03, 2017 Page Total: 30

# MINI PCIE-3G/4G



# M2.NGFF

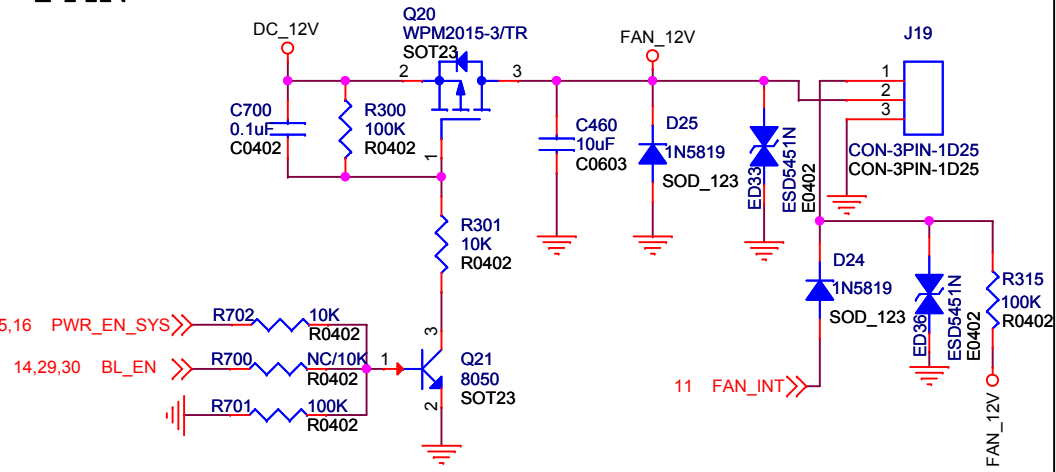




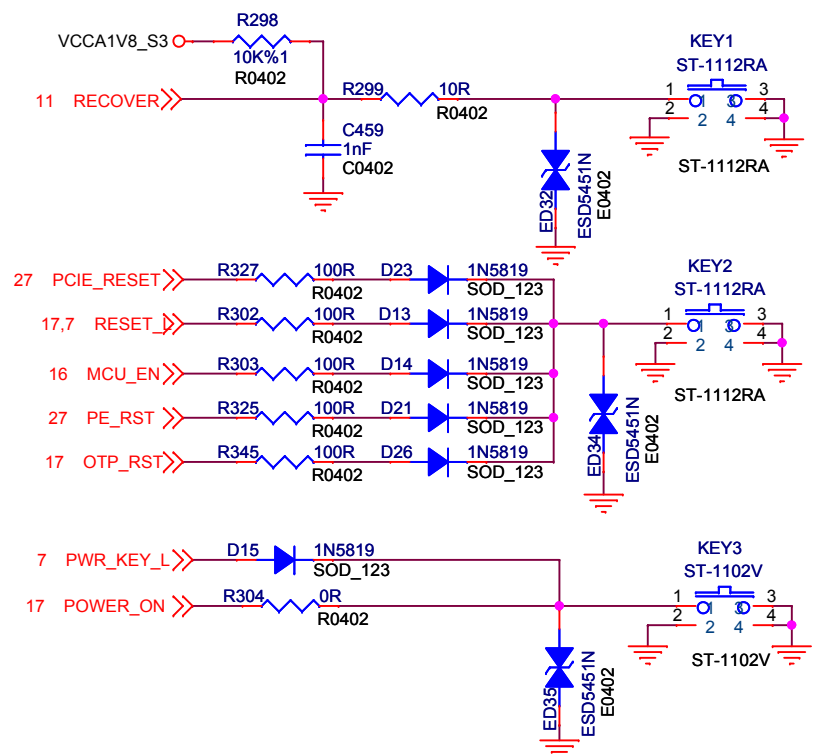
**www.t-firefly.com**

<b>Title:</b> 3G/4G MODULE/M2.NGFF	
<b>File:</b> Firefly-RK3399	
<b>REV:</b> 1.0	<b>Page Num:</b> 27
<b>Create Date:</b> Tuesday, July 19, 2016	<b>Modify Date:</b> Tuesday, January 03, 2017
<b>Page Total:</b> 30	

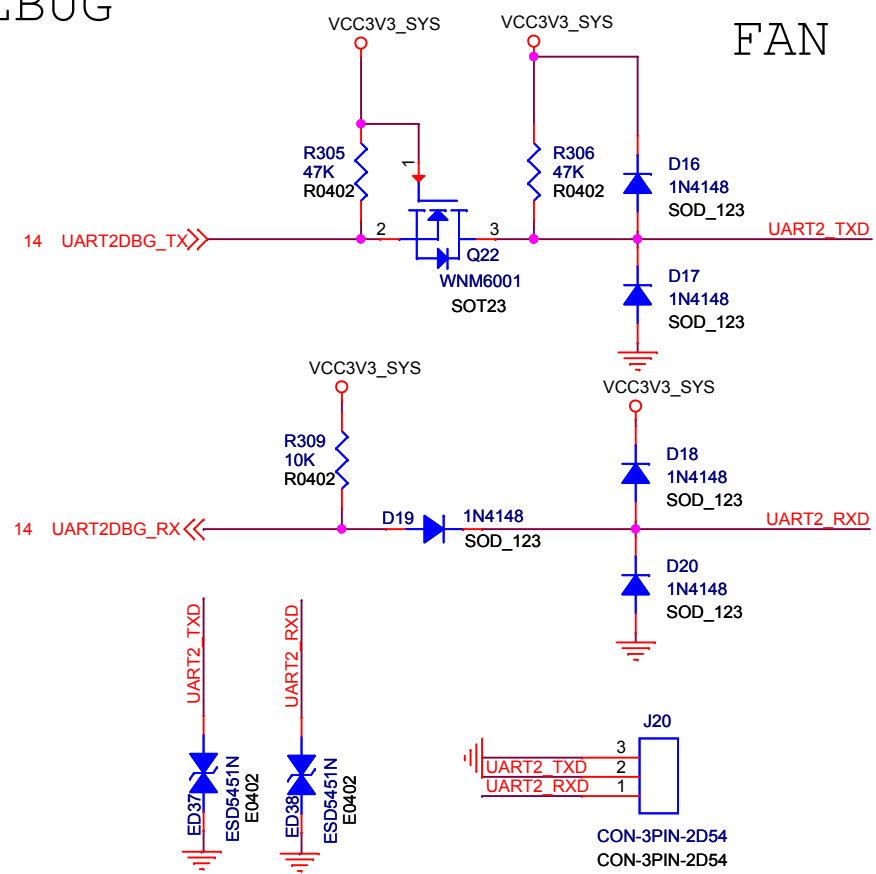
# FAN



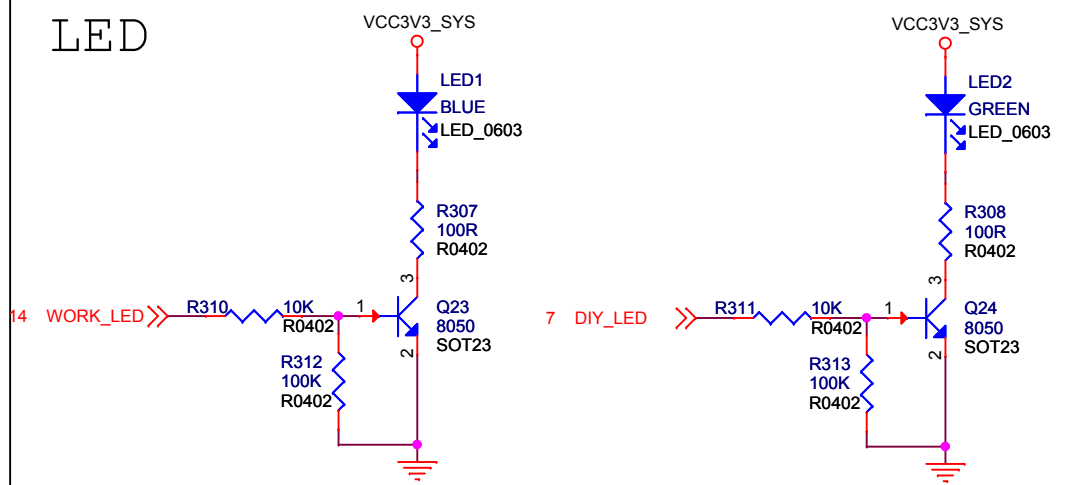
# KEY




# DEBUG



# LED

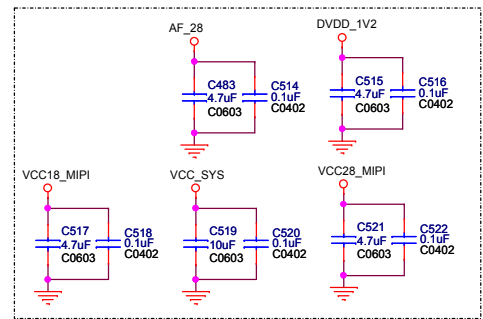
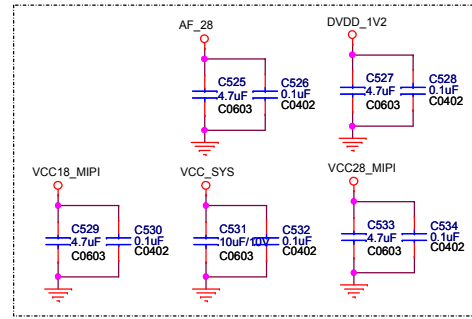
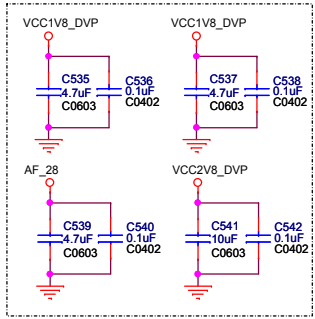
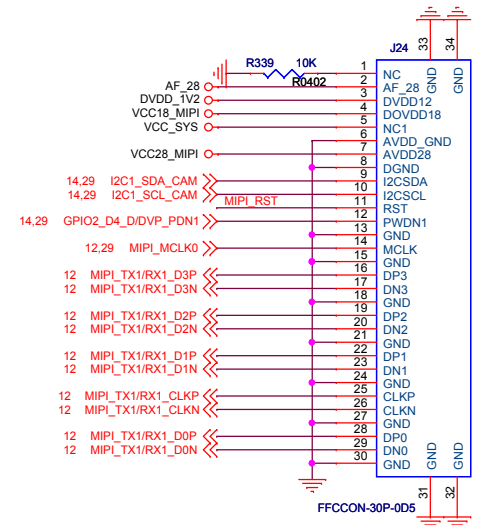
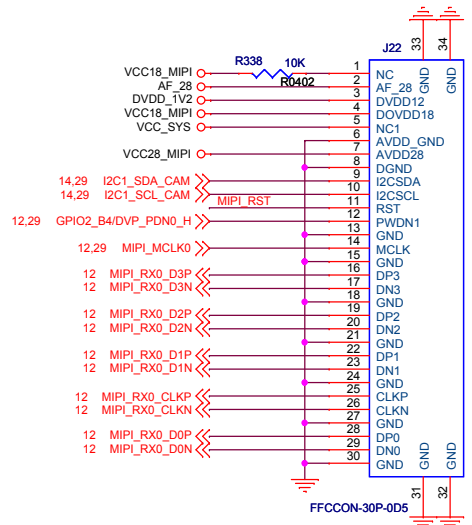
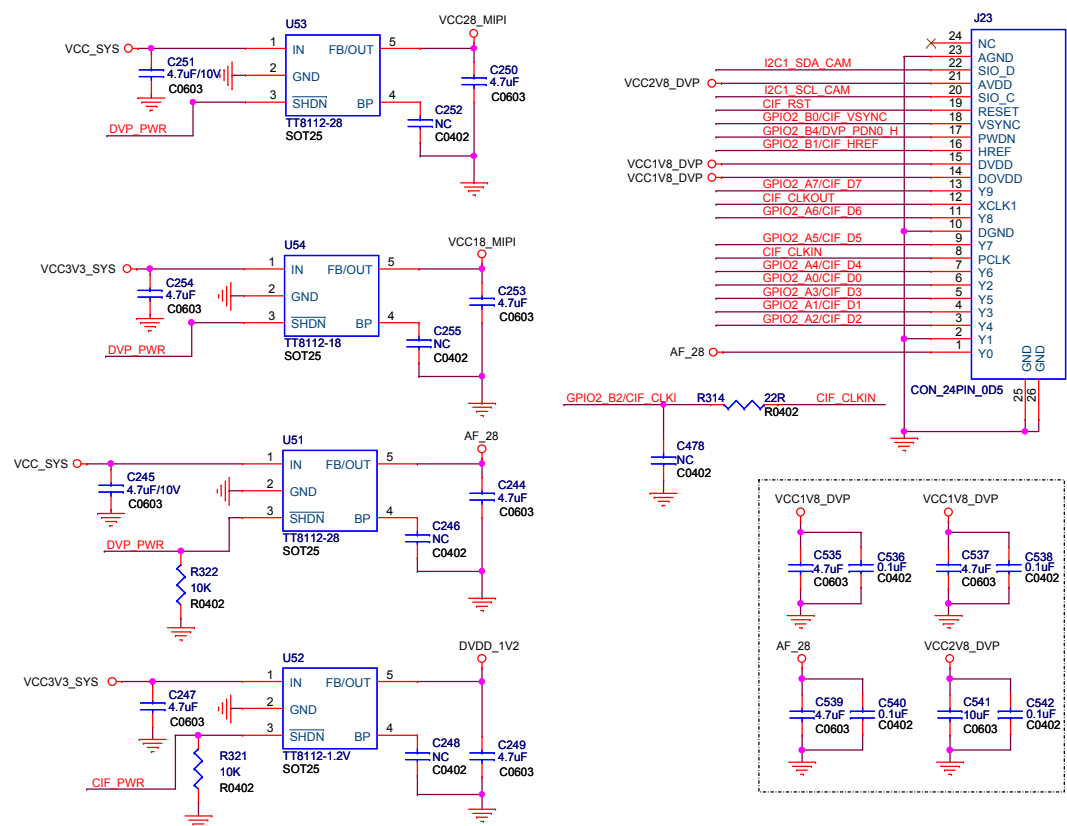




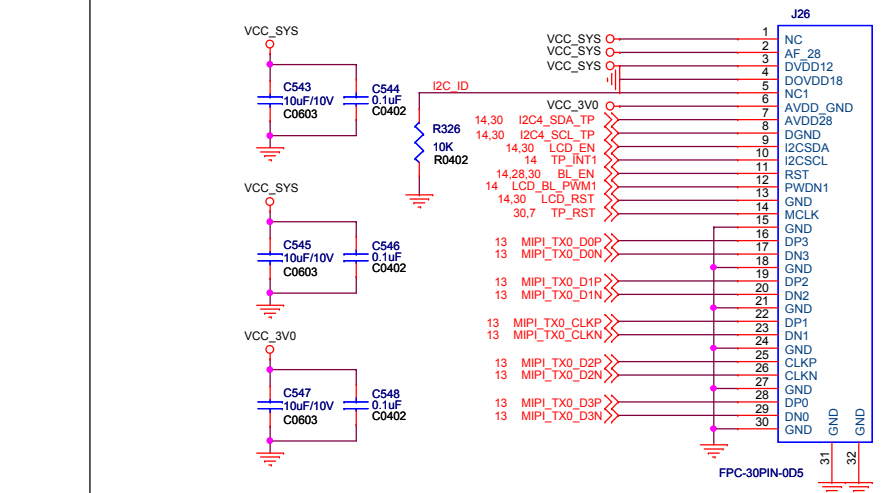
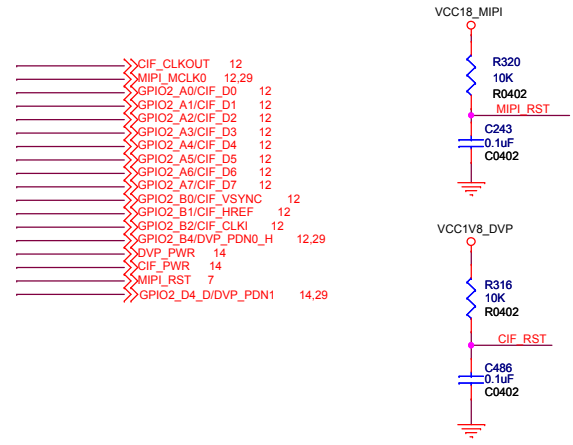
**www.t-firefly.com**

<b>Title:</b> KEY/LED/DEBUG/FAN	
<b>File:</b> Firefly-RK3399	REV: 1.0
<b>Create Date:</b> Monday, July 18, 2016	<b>Page Num:</b> 28
<b>Modify Date:</b> Tuesday, January 03, 2017	<b>Page Total:</b> 30

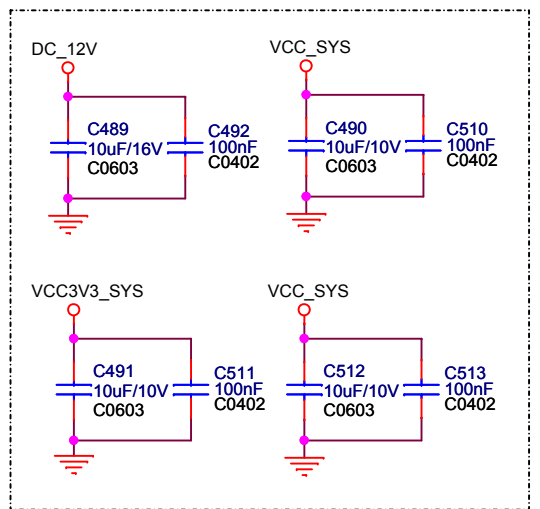
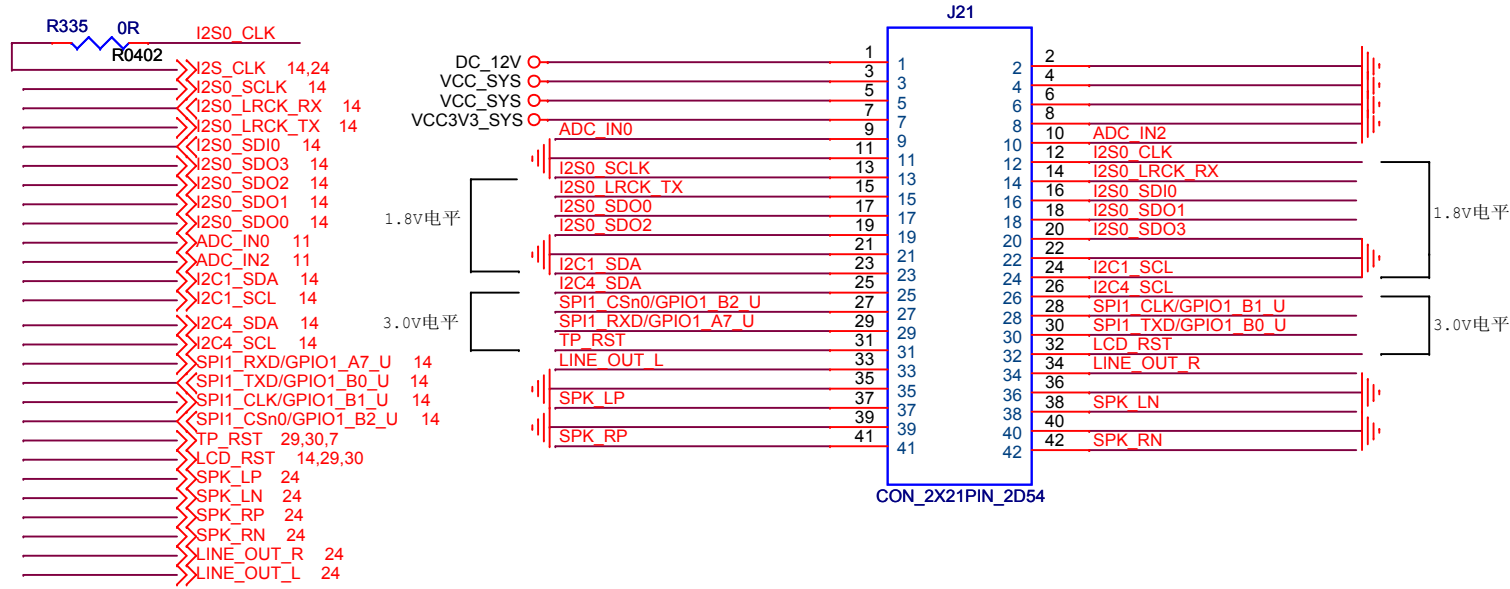
# YUV/MIPI\_RX/TX



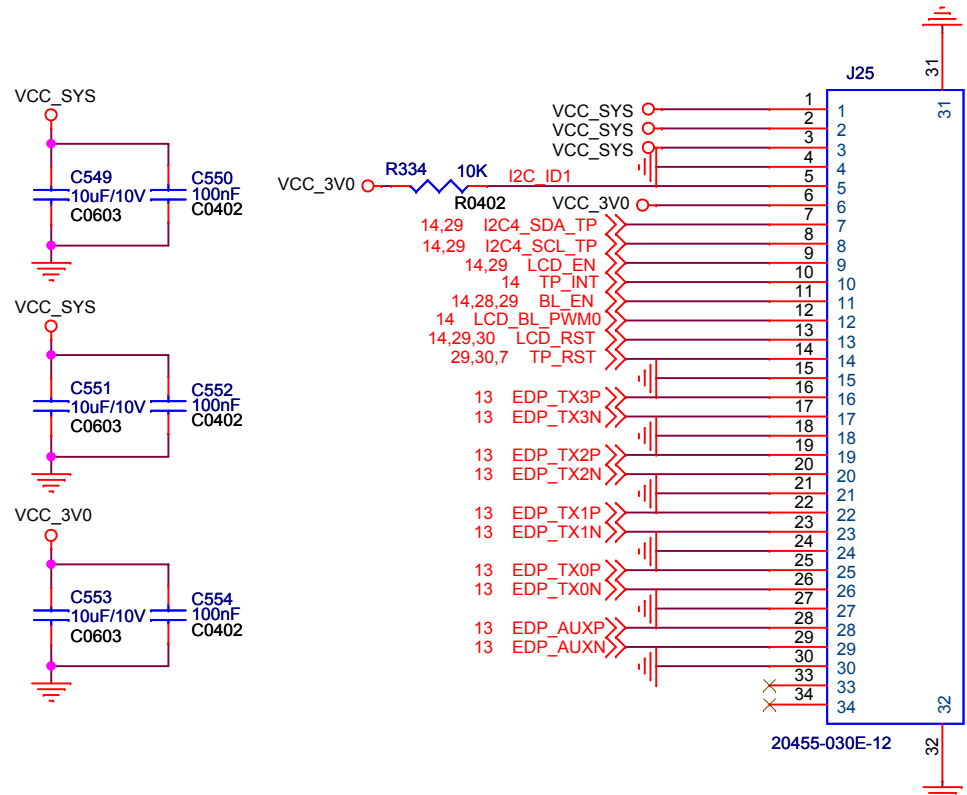
## MIPI\_TX



# Connector



# eDP



<b>Title:</b> Connector/eDP	
<b>File:</b> Firefly-RK3399	REV: 1.0
<b>Create Date:</b> Tuesday, July 19, 2016	<b>Page Num:</b> 30
<b>Modify Date:</b> Tuesday, January 03, 2017	<b>Page Total:</b> 30