

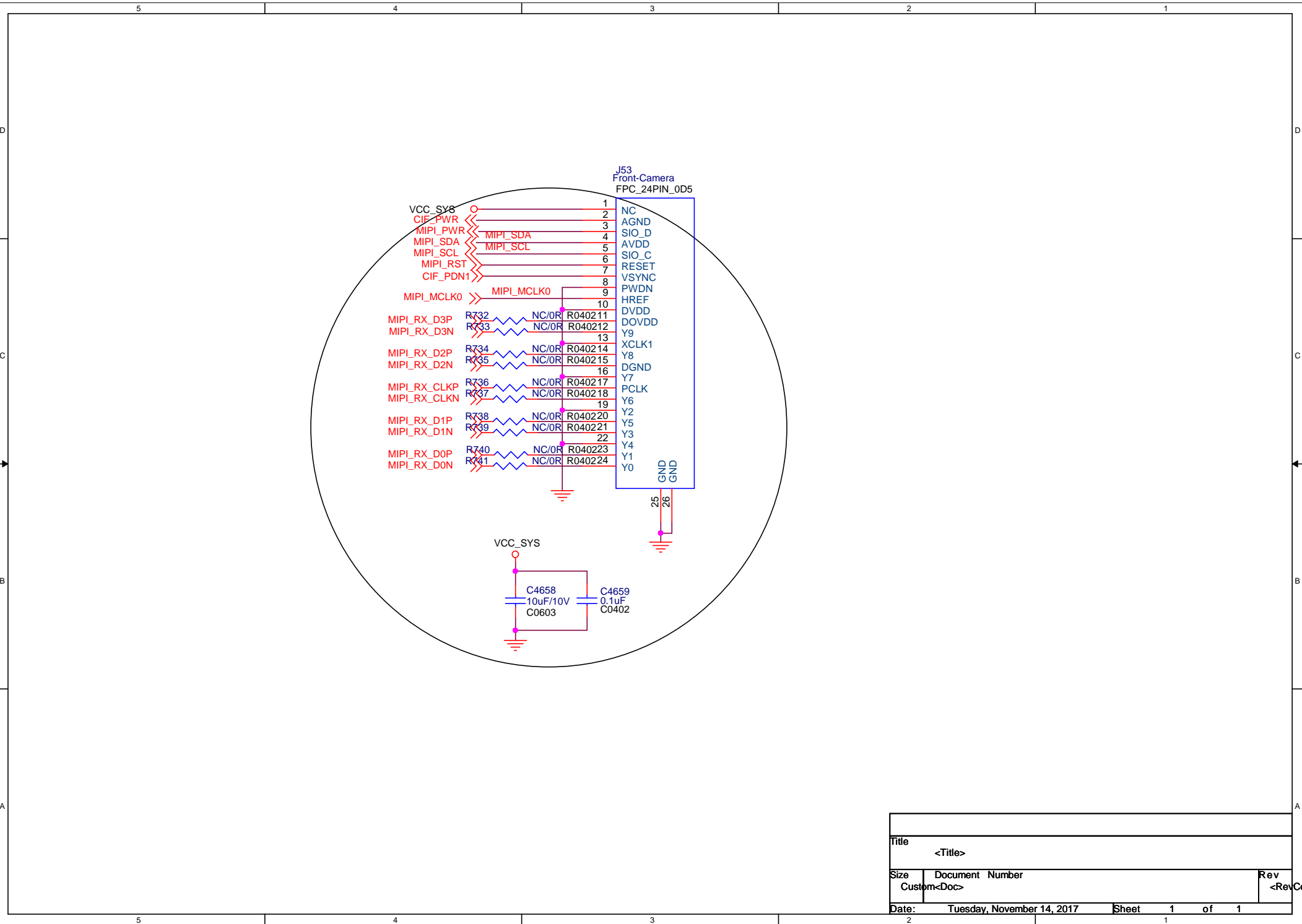
# Content Indexing

- 01.Index
- 02.Modify note
- 03.Block Diagram
- 04.Power Tree
- 05.System Power
- 06.RK3288 USB/HSIC Controler
- 07.RK3288 RAM Controler
- 08.RAM-LPDDR2(216P)
- 09.eMMC/TF Card
- 10.RK3288 GPIO/POWER
- 11.HDMI interface
- 12.RK3288 LCDC/I2S Controler
- 13.RK3288 EthernetMAC Controler
- 14.10/100/1000M-PHY
- 15.RK3288 SDIO0 Controler
- 16.Display/DVP Interface
- 17.DTV /SPI Interface
- 18.MXM Connector



[www.t-firefly.com](http://www.t-firefly.com)

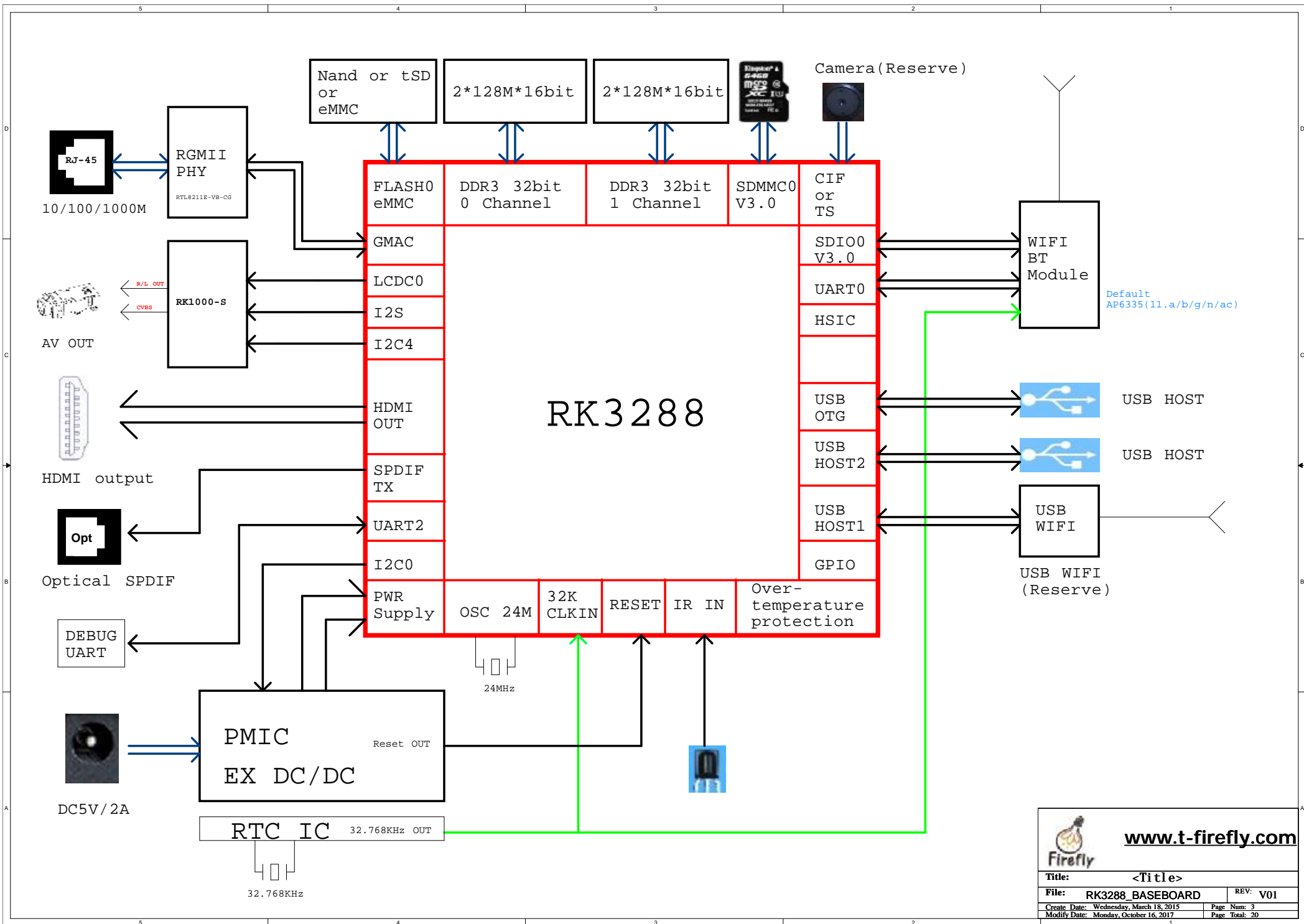
<b>Title:</b> <Title>	
<b>File:</b> RK3288_BASEBOARD	<b>REV:</b> V01
<b>Create Date:</b> Sunday, January 26, 2014	<b>Page Num:</b> 1
<b>Modify Date:</b> Monday, October 16, 2017	<b>Page Total:</b> 20



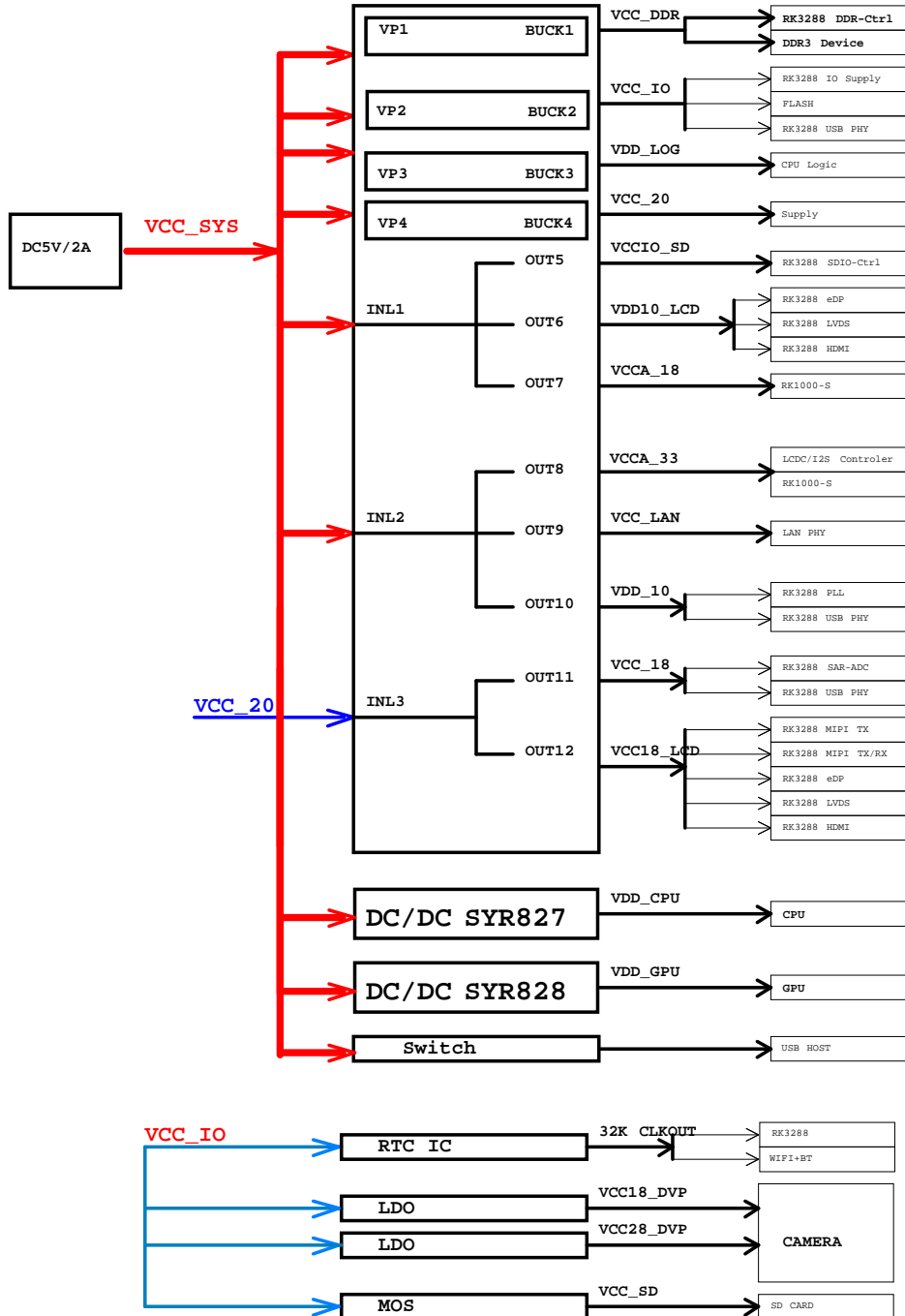
Title		
<Title>		
Size	Document Number	Rev
Custom	<Doc>	<RevCode>
Date:	Tuesday, November 14, 2017	Sheet 1 of 1

Version	Date	Author	Change Note	Approved
V00	20150318	LZZ	First edictor	

		<a href="http://www.t-firefly.com">www.t-firefly.com</a>	
<b>Title:</b>		<Title>	
<b>File:</b>		RK3288_BASEBOARD	REV: V01
<b>Create Date:</b>		Saturday, October 23, 2010	Page Num: 2
<b>Modify Date:</b>		Monday, October 16, 2017	Page Total: 20



### ACT8846QM489

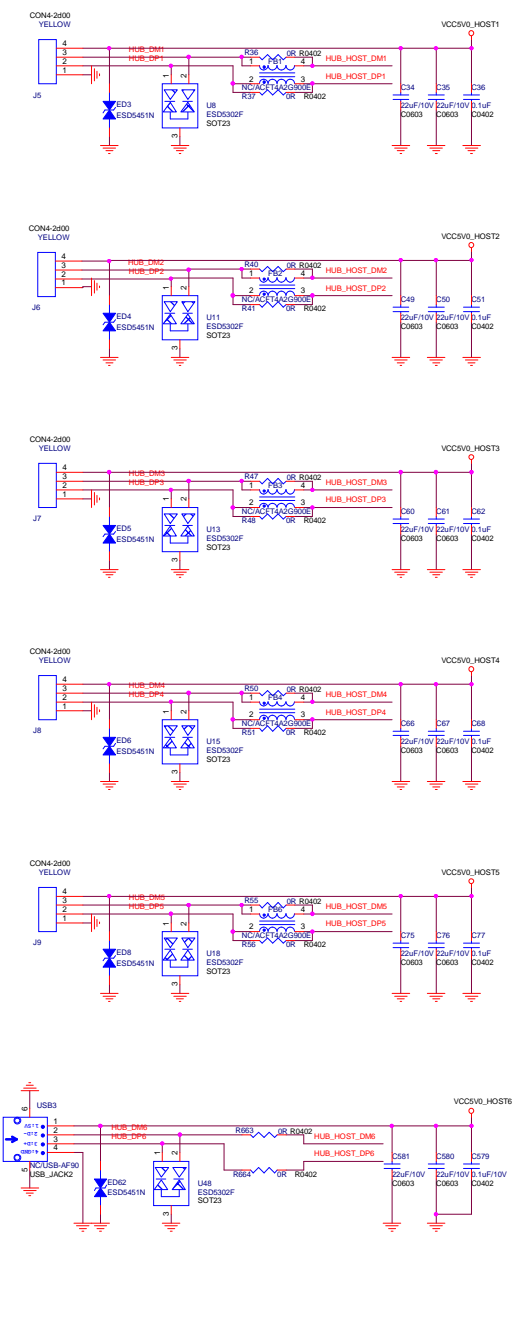


PowerName	PMIC Channel	timer(2mS)	Default voltage	Working voltage
VCC_20	DCDC4	Solt:0	2.0V	2.0V
VDD_10	OUT10	Solt:1	1.0V	1.0V
VCC_DDR	DCDC1	Solt:2	1.5V (FB=1.2V)	1.5V(DDR3)
VDD_CPU	EX DCDC	Solt:2A	1.0V	DVFS
VDD_GPU	EX DCDC	Solt:2B	1.0V	DVFS
VDD_LOG	DCDC3	Solt:3	1.1V	DVFS
VCC_18	OUT11	Solt:4	1.8V	1.8V
VCC_LAN	OUT9	Solt:5	3.3V	3.3V
VCC_IO	DCDC2	Solt:6	3.3V	3.3V
VCCIO_SD	OUT5	Solt:6	3.3V	SD2.0:3.3V SD3.0:1.8V
VCCA_33	OUT8	OFF	OFF	3.3V
VCCA_18	OUT7	OFF	OFF	1.8V
VDD10_LCD	OUT6	OFF	OFF	1.0V
VCC18_LCD	OUT12	OFF	OFF	1.8V

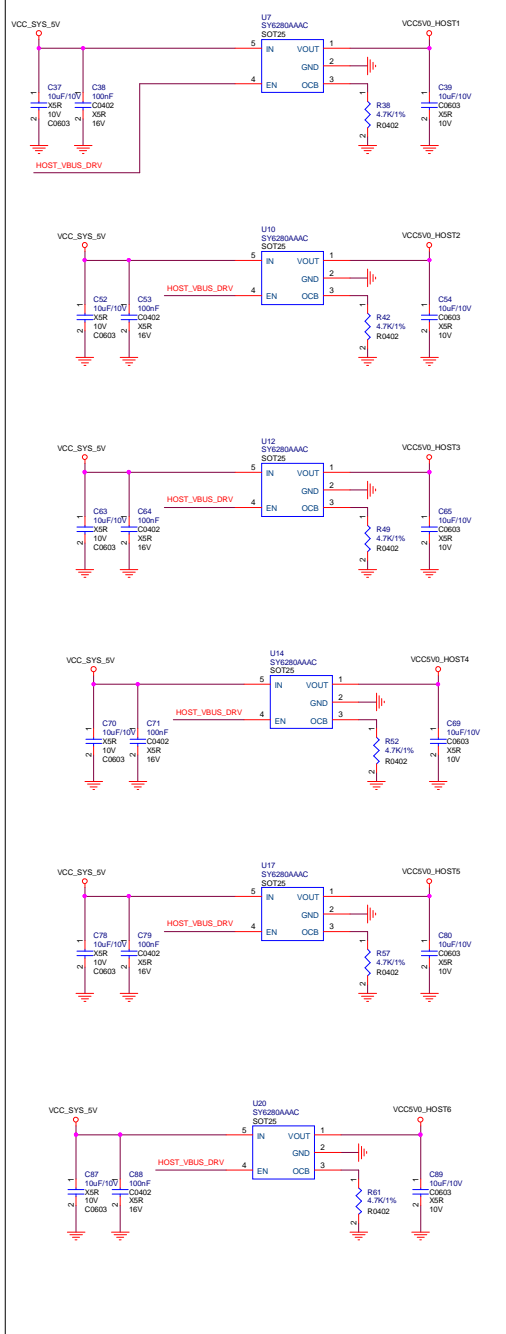




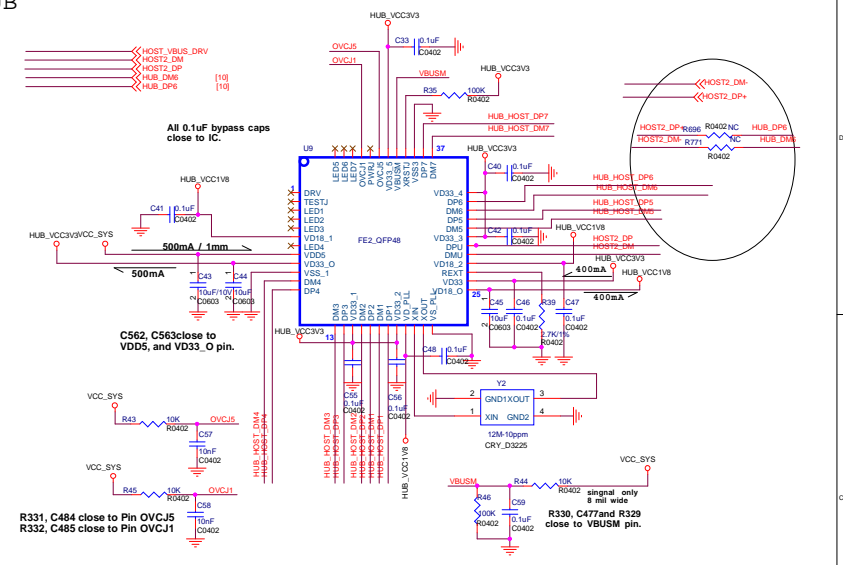
HOST PORT/USB2.0



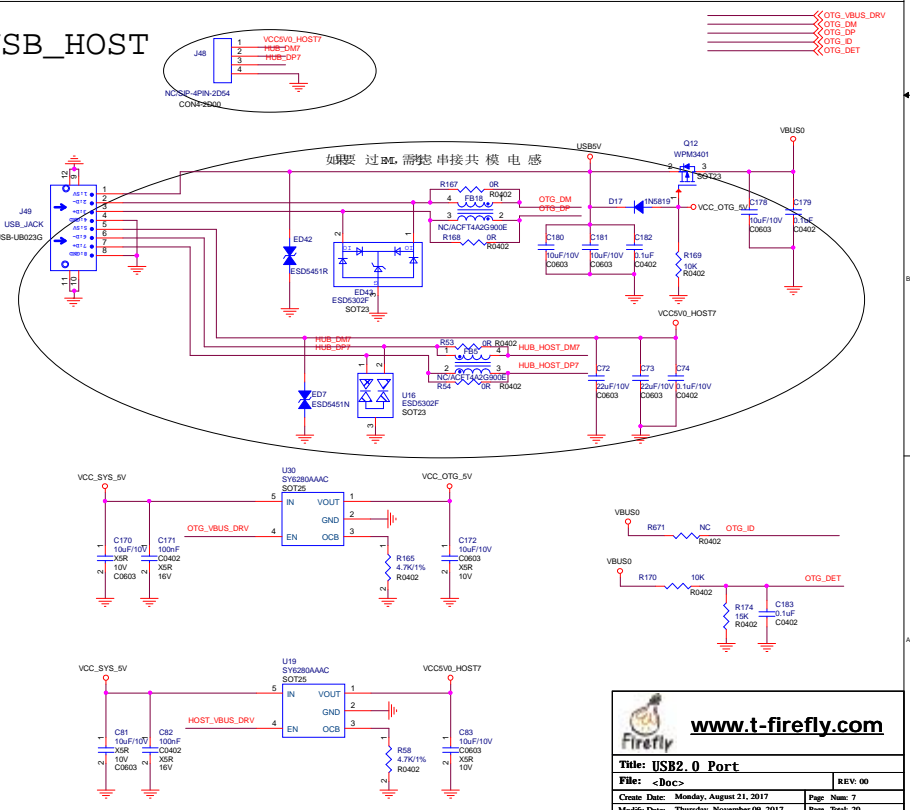
HOST POWER



HUB



USB\_HOST



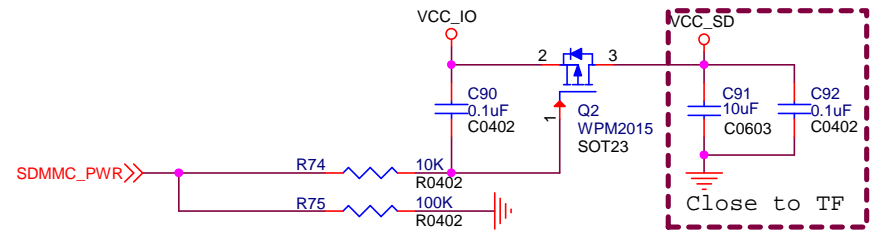
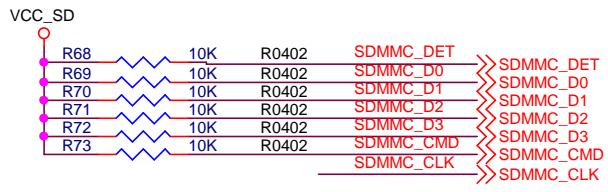
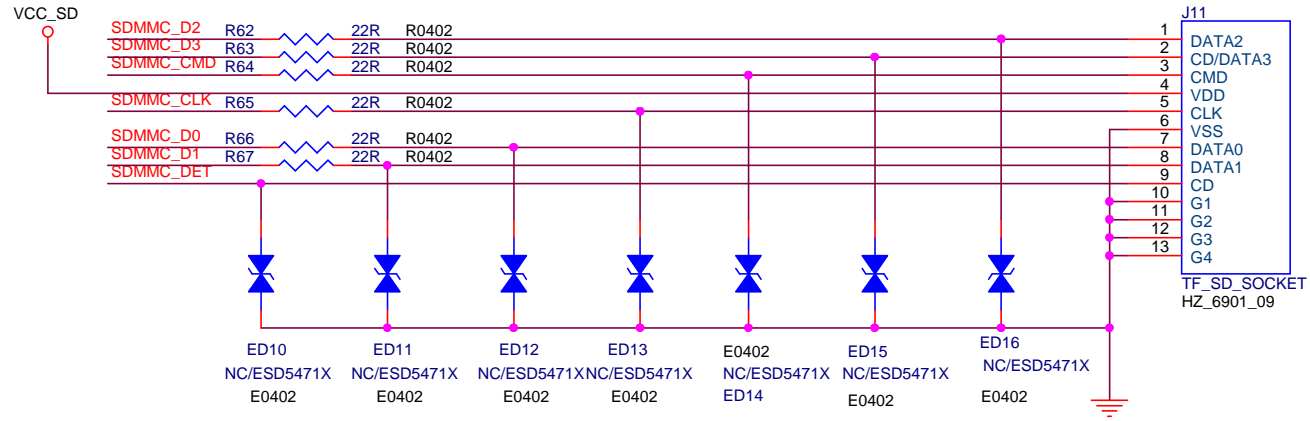
**Firefly** [www.t-firefly.com](http://www.t-firefly.com)

**Title: USB2.0 Port**

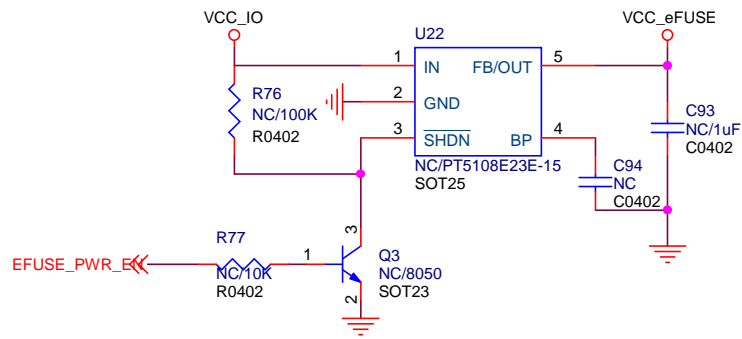
File: <Doc>	REV: 00
Create Date: Monday, August 21, 2017	Page Num: 7
Modify Date: Thursday, November 09, 2017	Page Total: 30



# TF Card



# eFUSE\_Power



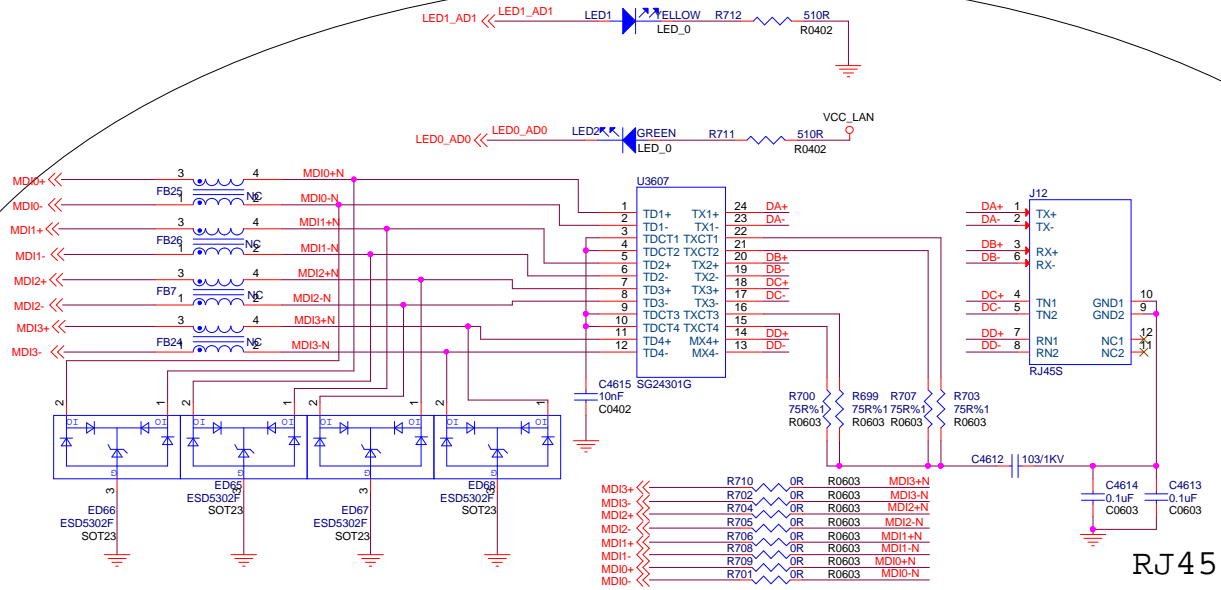
## eFUSE\_Power

Place the Component  
if need to write eFUSE


[www.t-firefly.com](http://www.t-firefly.com)

<b>Title:</b> <Title>	
<b>File:</b> RK3288_BASEBOARD	<b>REV:</b> V01
<b>Create Date:</b> Tuesday, April 07, 2015	<b>Page Num:</b> 8
<b>Modify Date:</b> Monday, October 16, 2017	<b>Page Total:</b> 20

# RJ45



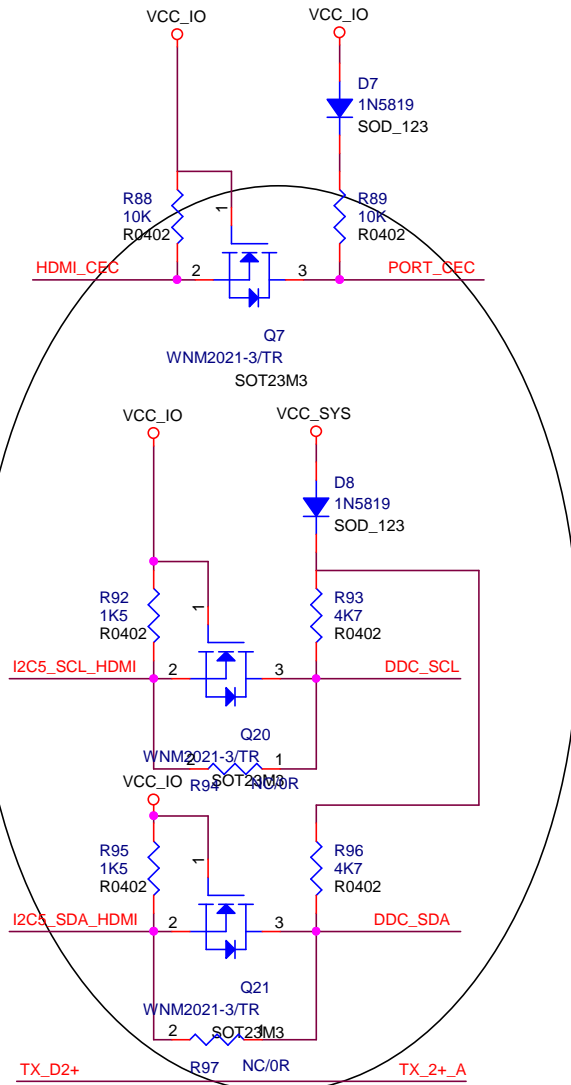
RJ45



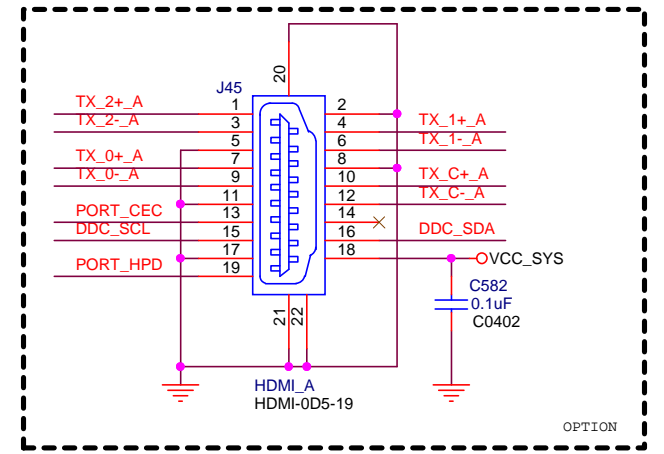
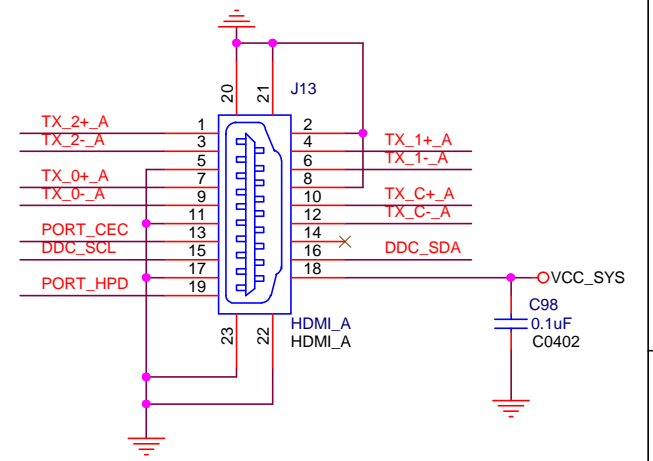
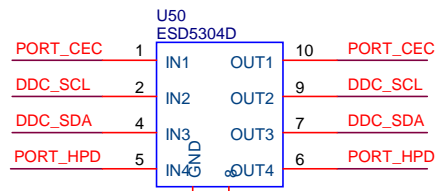
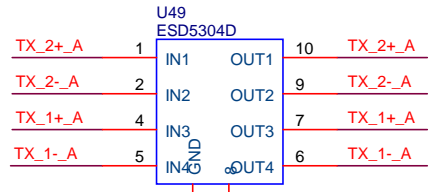
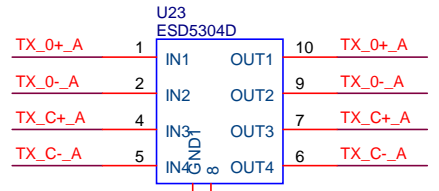
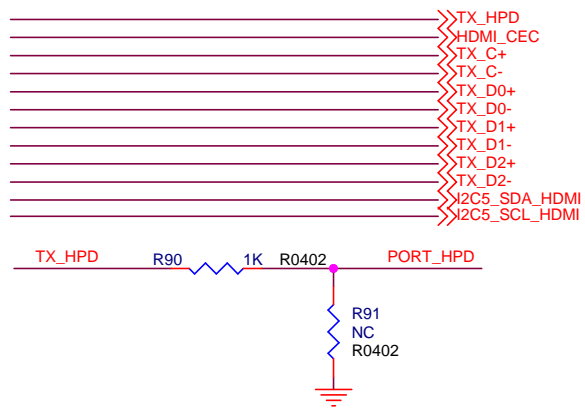
[www.t-firefly.com](http://www.t-firefly.com)

Title: <Title>	
File: RK3288_BASEBOARD	REV: V01
Create Date: Tuesday, April 07, 2015	Page Num: 9
Modify Date: Thursday, November 02, 2017	Page Total: 20

# HDMI\_OUT



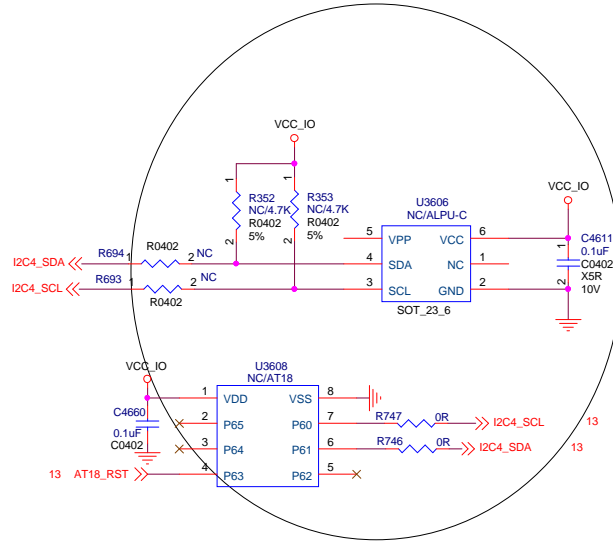
TX_D2+	R97	NC/OR	TX_2+_A
TX_D2-			TX_2-_A
TX_D1+			TX_1+_A
TX_D1-			TX_1-_A
TX_D0+			TX_0+_A
TX_D0-			TX_0-_A
TX_C+			TX_C+_A
TX_C-			TX_C-_A



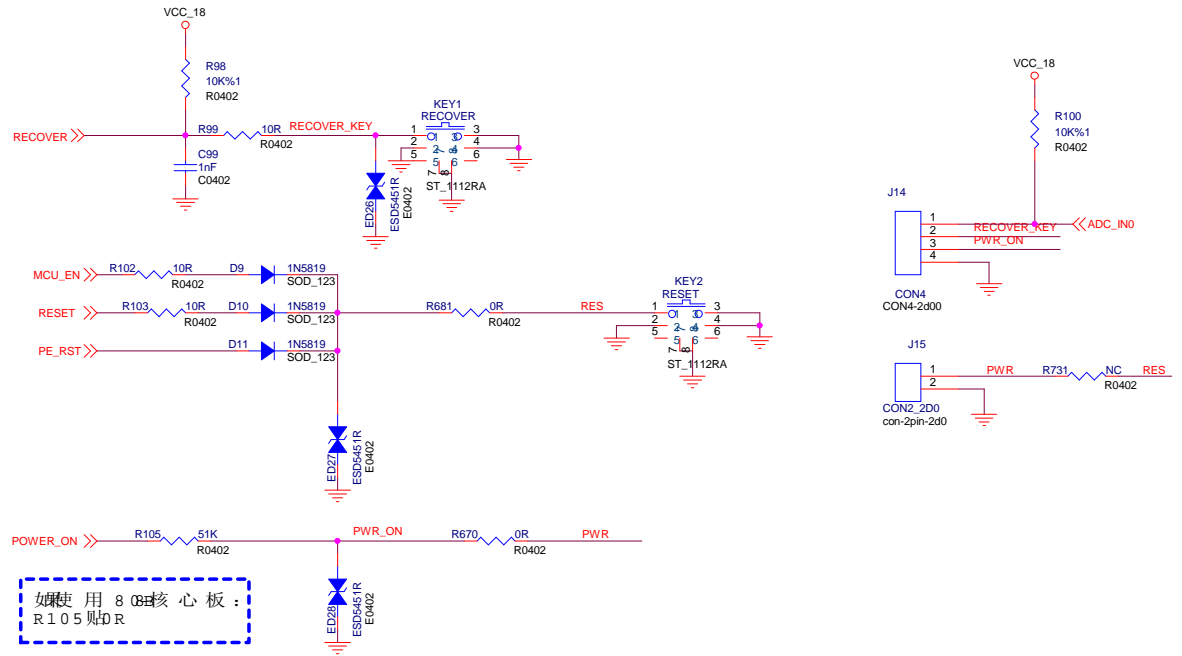
[www.t-firefly.com](http://www.t-firefly.com)

<b>Title:</b> <Title>	
<b>File:</b> RK3288_BASEBOARD	<b>REV:</b> V01
<b>Create Date:</b> Tuesday, April 07, 2015	<b>Page Num:</b> 10
<b>Modify Date:</b> Monday, November 06, 2017	<b>Page Total:</b> 20

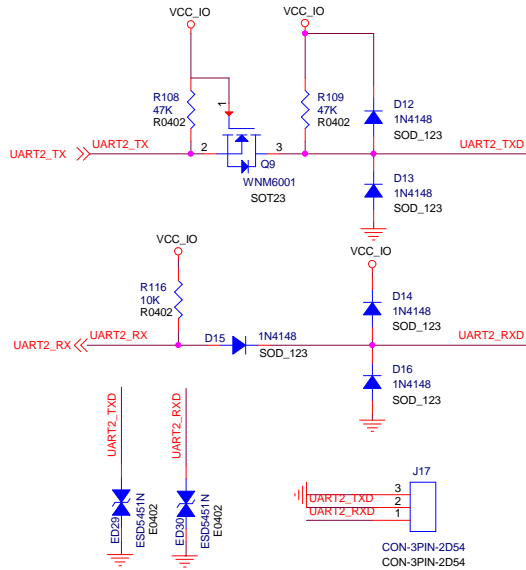
# 加密 IC



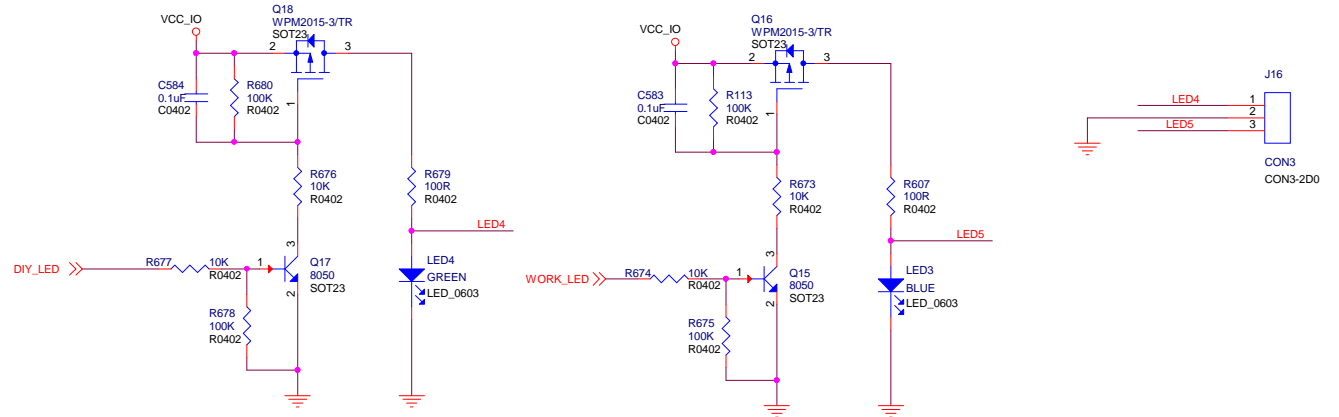
# KEY



# DEBUG



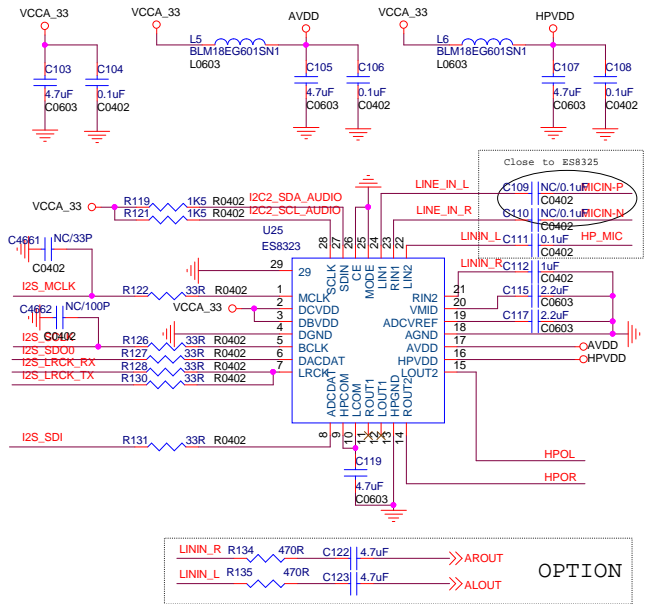
# LED



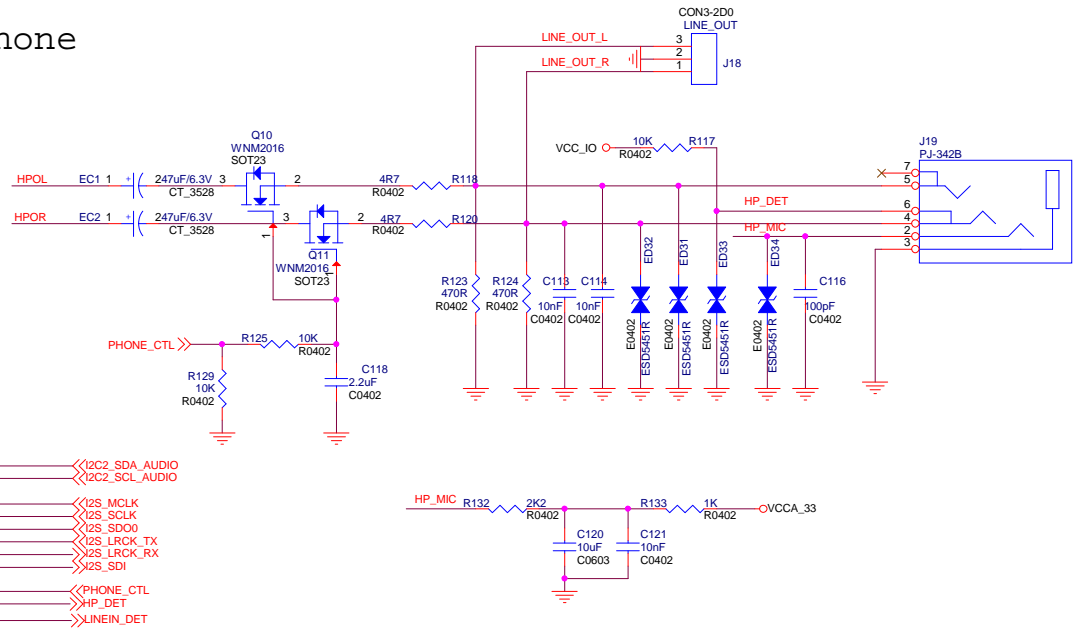
[www.t-firefly.com](http://www.t-firefly.com)

Title: <Title>	
File: RK3288_BASEBOARD	REV: V01
Create Date: Tuesday, April 07, 2015	Page Num: 11
Modify Date: Tuesday, October 17, 2017	Page Total: 20

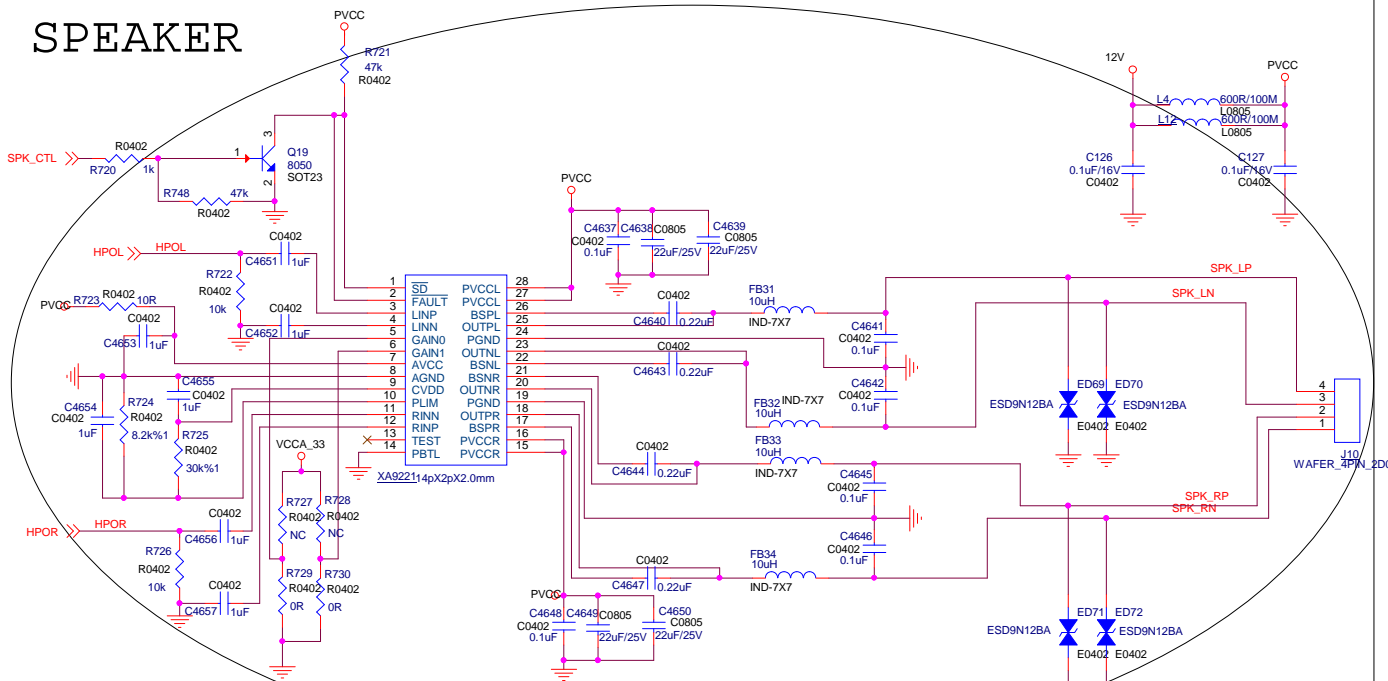
# CODEC



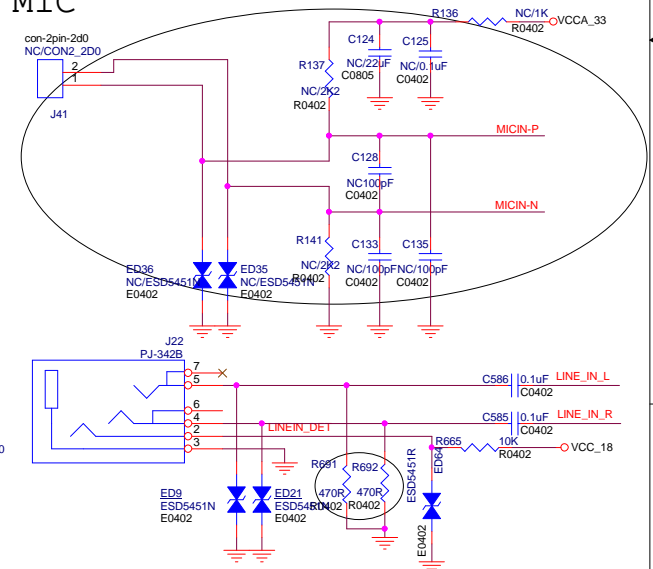
# Earphone



# SPEAKER



# MIC



 [www.t-firefly.com](http://www.t-firefly.com)

Title: <Title>

File: RK3288\_BASEBOARD REV: V01

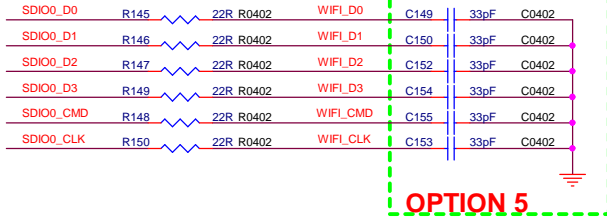
Create Date: Tuesday, April 07, 2015 Page Num: 12

Modify Date: Wednesday, November 22, 2017 Page Total: 20

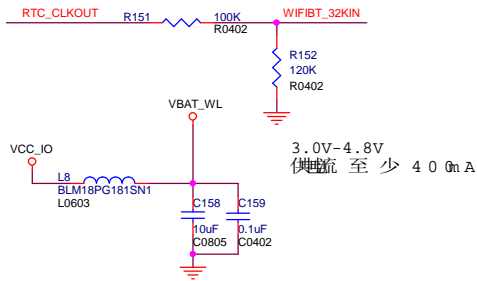
# WIFI



**Note:**  
Adjusted the load capacitance according to the crystal specification.



**OPTION 5**

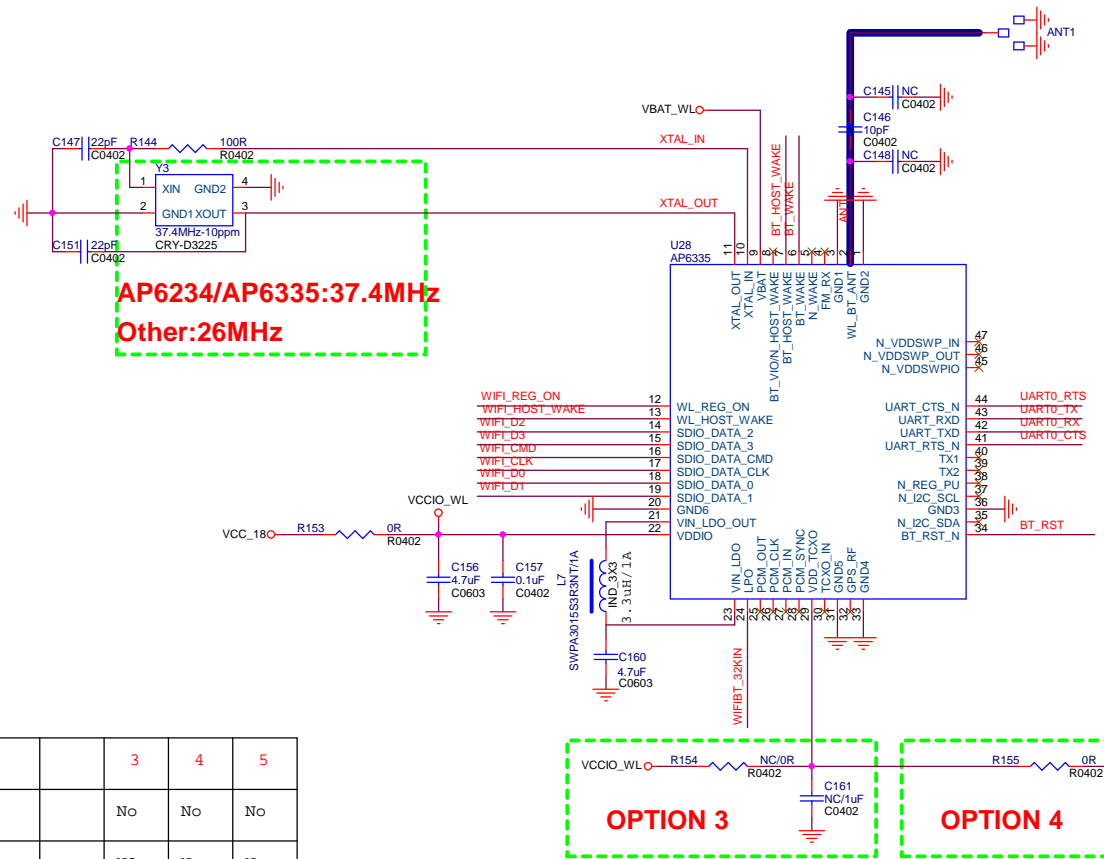


OPTION	WIFI				BT4.0	Crystals	VDDIO
	a	b/g/n	ac	5GHz			
AP6181		Yes				26MHz	1.71-3.6V
AP6212		Yes			Yes	26MHz	1.71-3.6V
AP6234	Yes	Yes		Yes	Yes	37.4MHz	1.6-3.4V
AP6330	Yes	Yes		Yes	Yes	26MHz	1.2-2.9V
AP6335 (Default)	Yes	Yes	Yes	Yes	Yes	37.4MHz	1.71-3.63V

OPTION		3	4	5
AP6181		No	No	No
AP6212		NO	No	No
AP6234		No	No	No
AP6330		No	No	No
AP6335 (Default)		No	Yes	Yes

Note:  
Yes: 框内要贴  
No: 框内不贴

# 50 Ohm RF trace

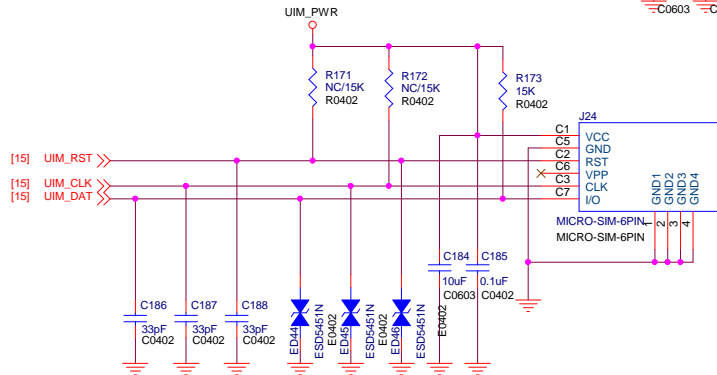
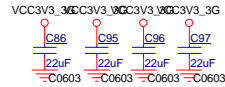
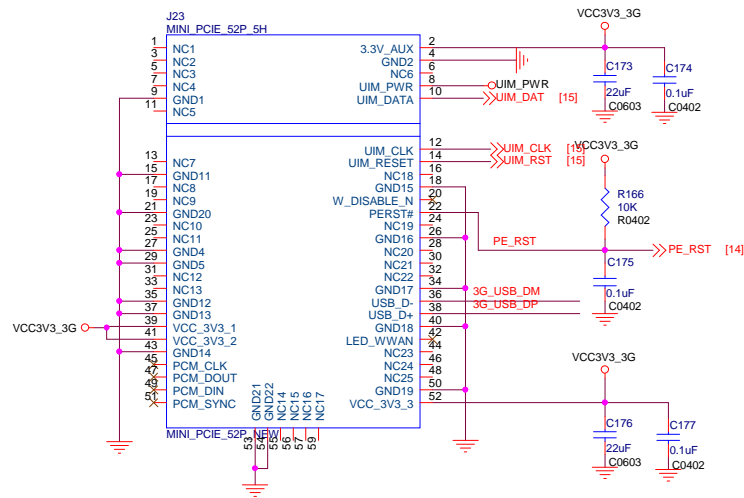
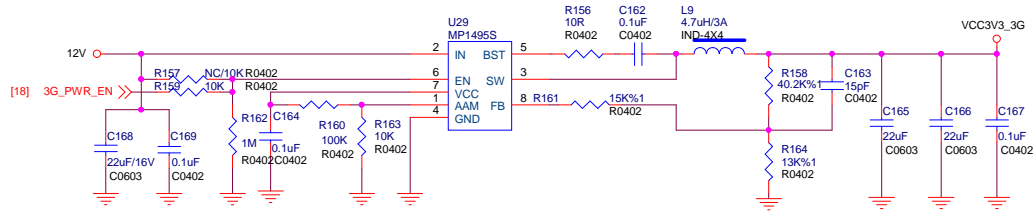




[www.t-firefly.com](http://www.t-firefly.com)

<b>Title:</b> <Title>		<b>REV:</b> V01
<b>File:</b> RK3288_BASEBOARD		
<b>Create Date:</b> Wednesday, April 08, 2015	<b>Page Num:</b> 13	
<b>Modify Date:</b> Monday, October 16, 2017	<b>Page Total:</b> 20	

# MINI PCIE-3G/4G

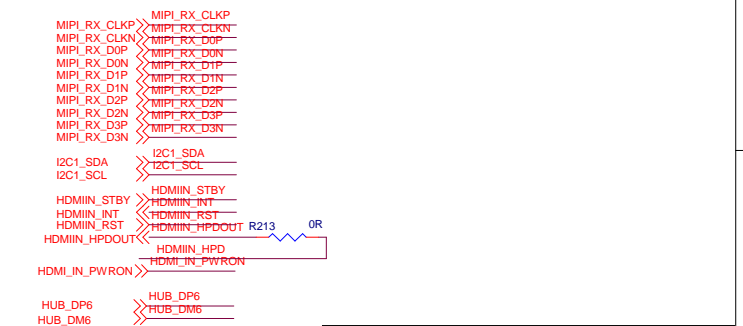
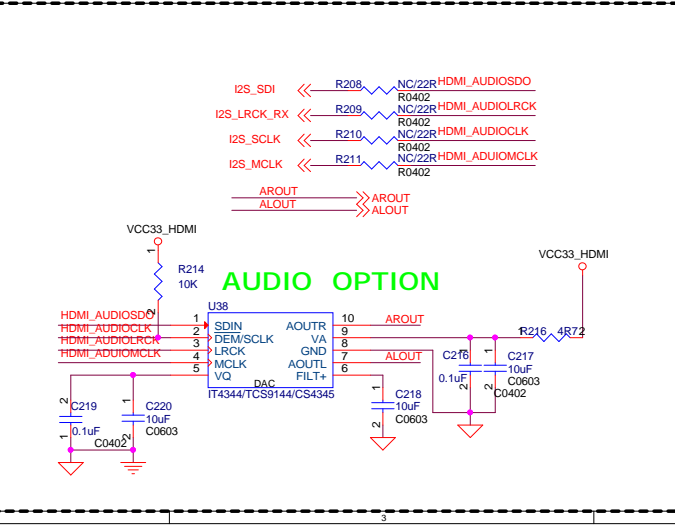
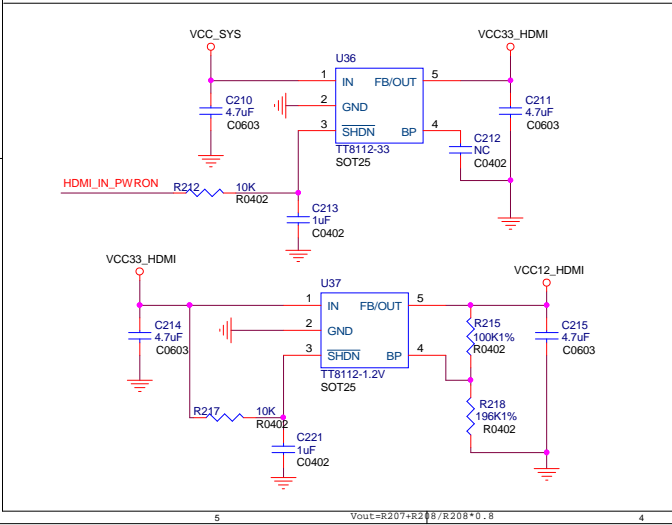
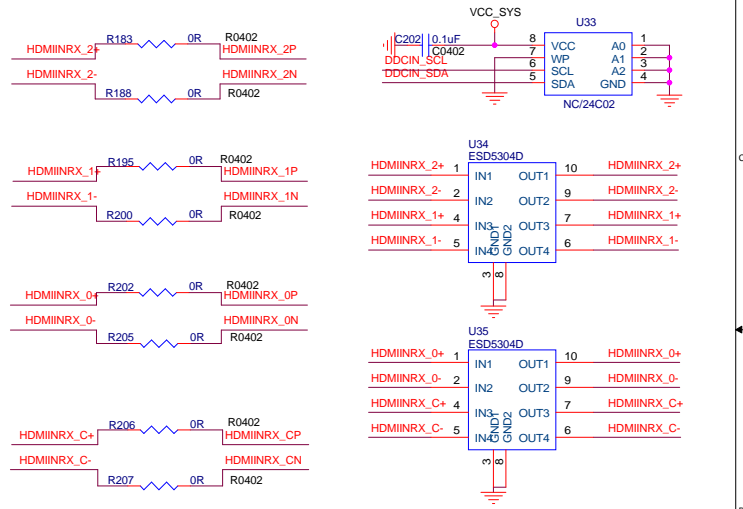
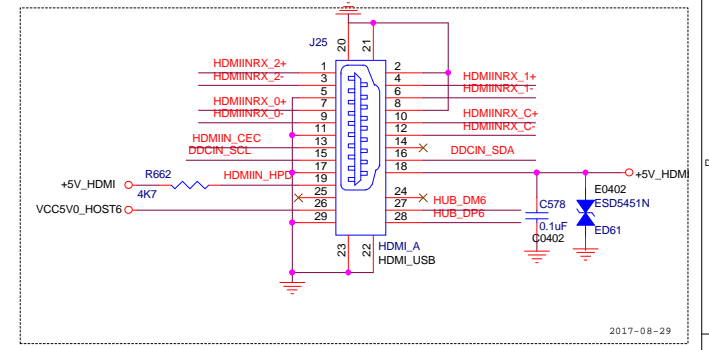
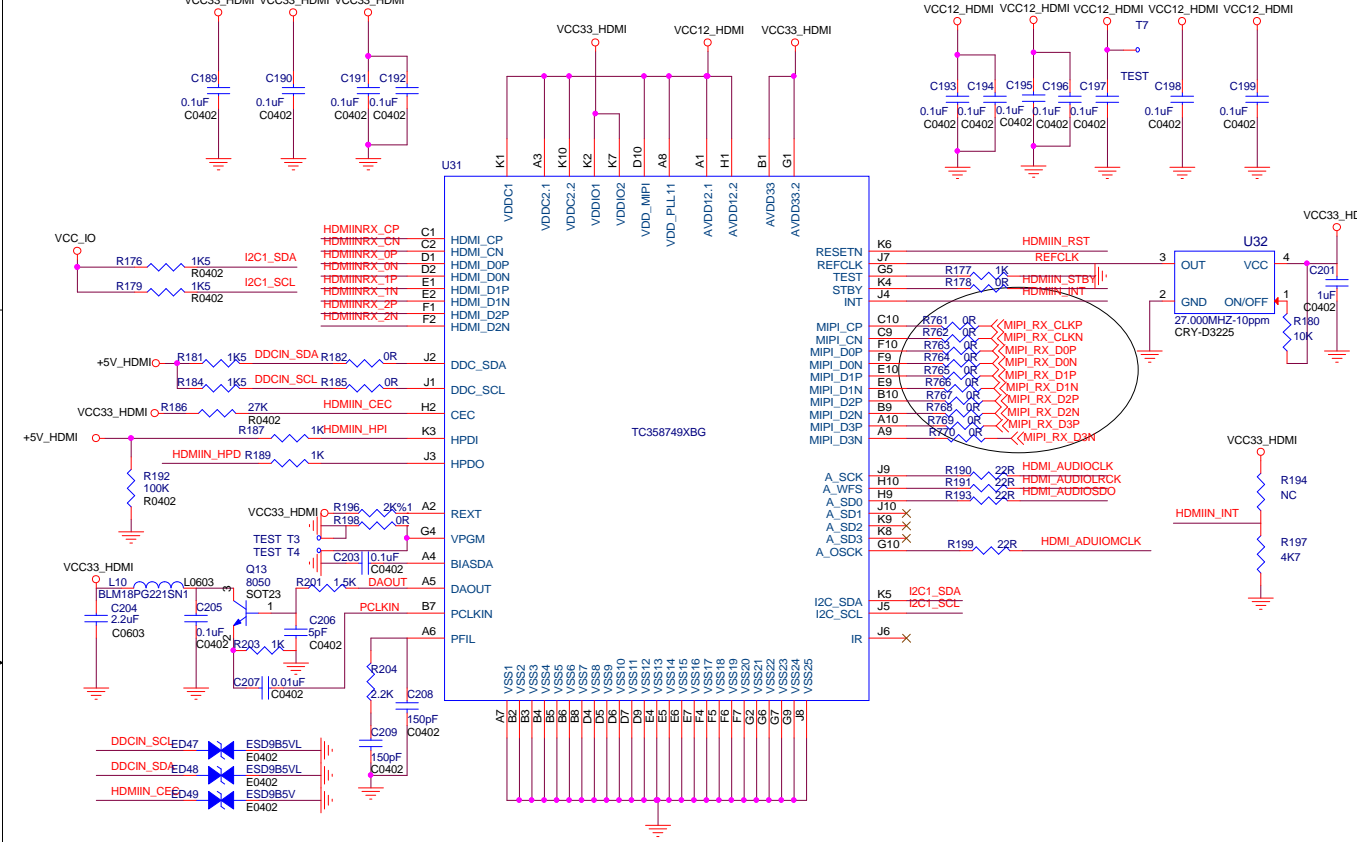
# OTG POWER





[www.t-firefly.com](http://www.t-firefly.com)

<b>Title:</b> 3G-4G-MODULE/M2. NGFF-PCIE	
<b>File:</b> <Doc>	<b>REV:</b> 00
<b>Create Date:</b> Monday, August 21, 2017	<b>Page Num:</b> 14
<b>Modify Date:</b> Tuesday, November 07, 2017	<b>Page Total:</b> 20

# HDMI\_IN



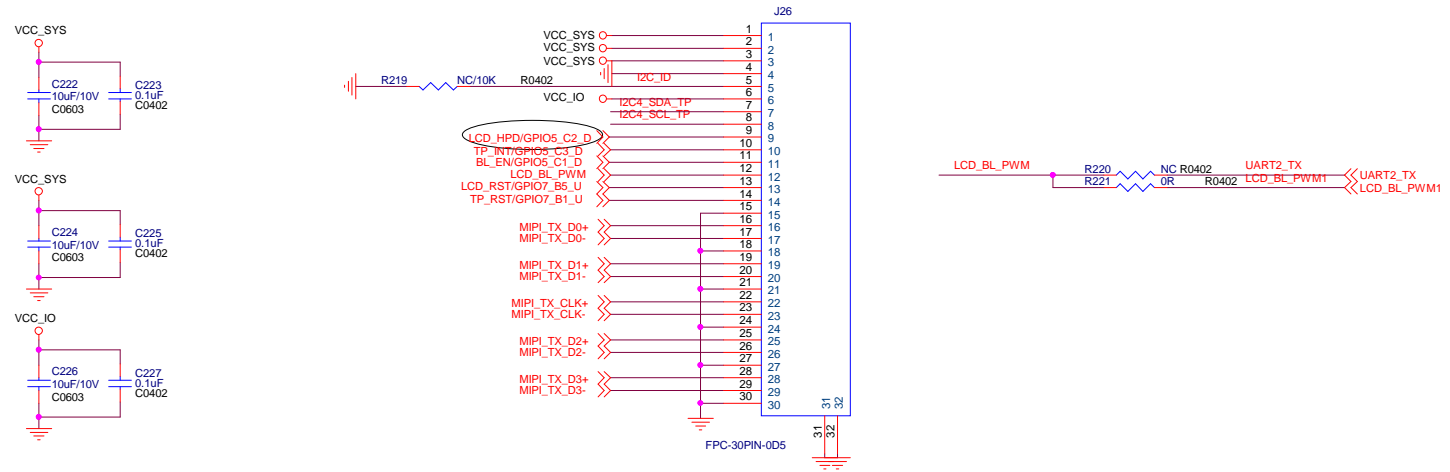


**www.t-firefly.com**

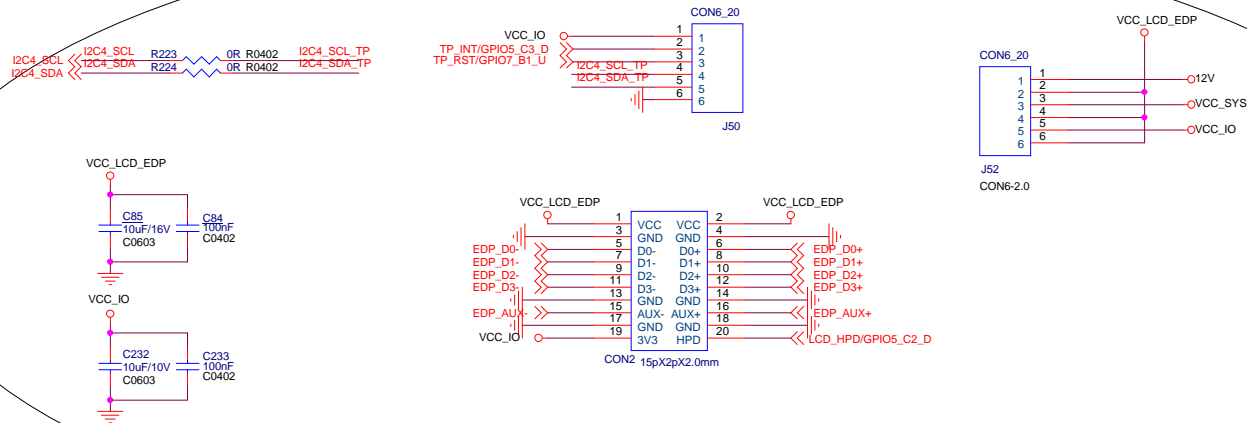
<b>Title:</b> <Title>	
<b>File:</b> RK3288_BASEBOARD	
<b>REV:</b> V01	<b>REV:</b> V01
<b>Create Date:</b> Tuesday, April 14, 2015	<b>Page Num:</b> 15
<b>Modify Date:</b> Tuesday, December 05, 2017	<b>Page Total:</b> 20



# MIPI\_TX



# eDP




[www.t-firefly.com](http://www.t-firefly.com)

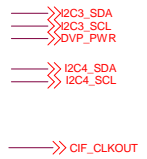
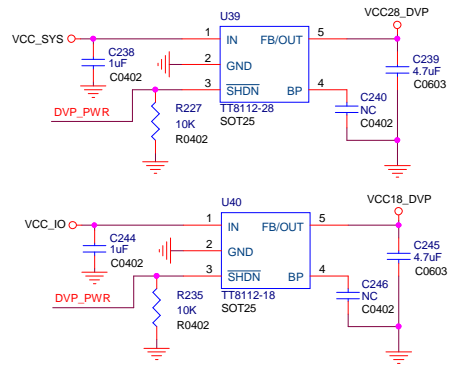
**Title:** eDP Interface/Connector REV: 00

**File:** <Doc> Page Num: 16

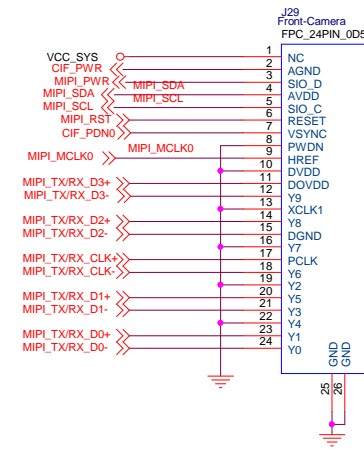
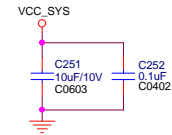
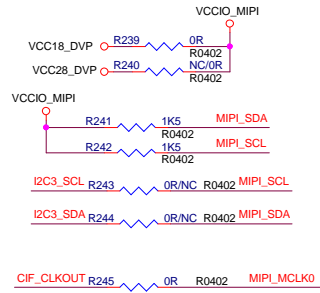
**Create Date:** Friday, August 18, 2017 Page Total: 20

**Modify Date:** Wednesday, November 22, 2017

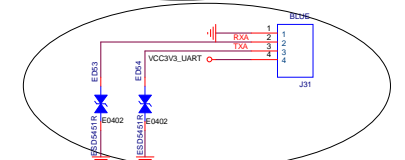
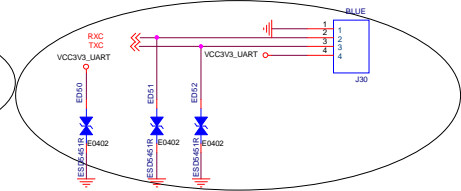
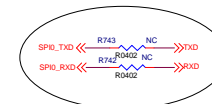
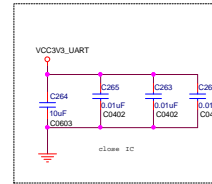
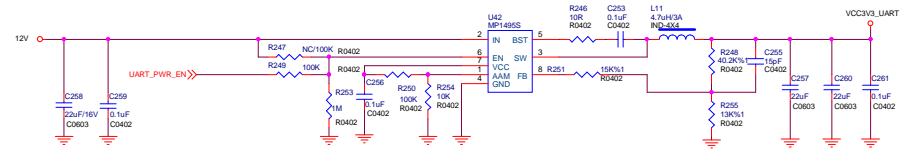
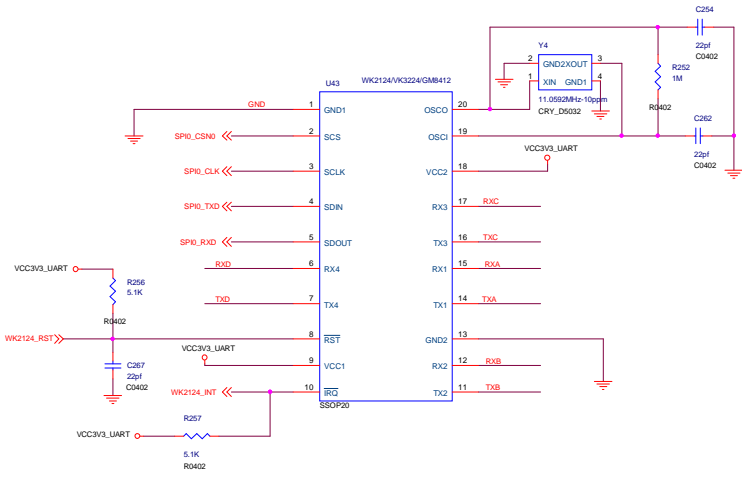
# POWER



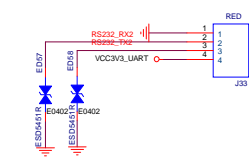
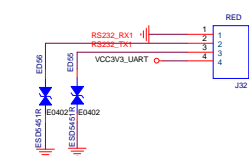
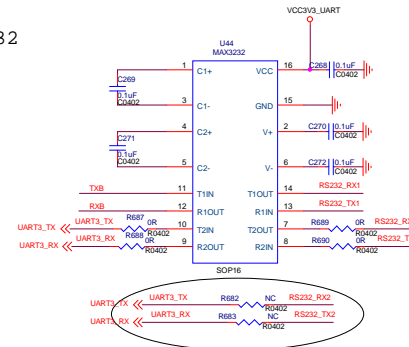
# MIPI CAMERA



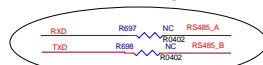
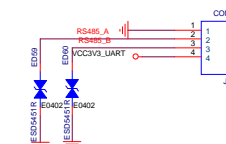
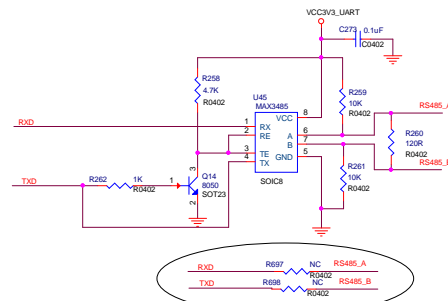
SPI TO UART



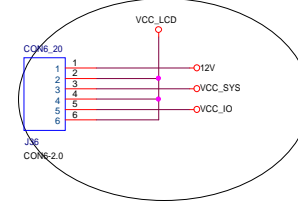
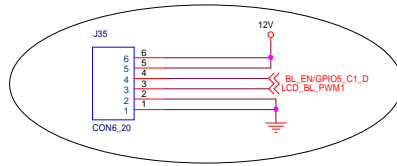
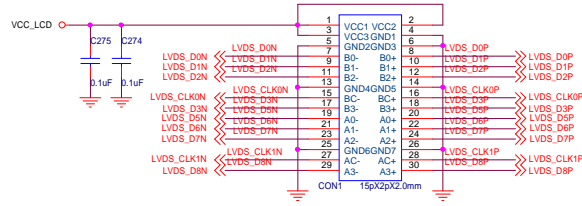
UART TO RS232



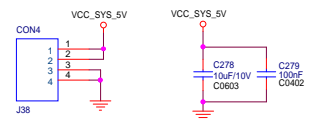
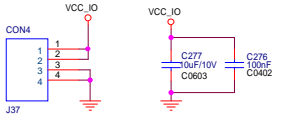
UART TO RS485



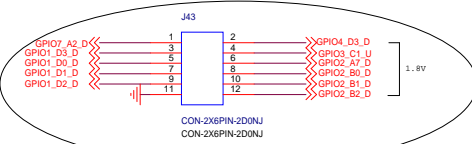
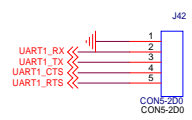
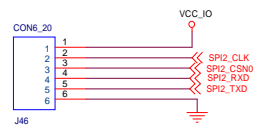
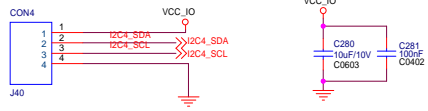
# DOUBLE LVDS



# 5V&3.3V Connector



# I2C Connector & SPI



 [www.t-firefly.com](http://www.t-firefly.com)

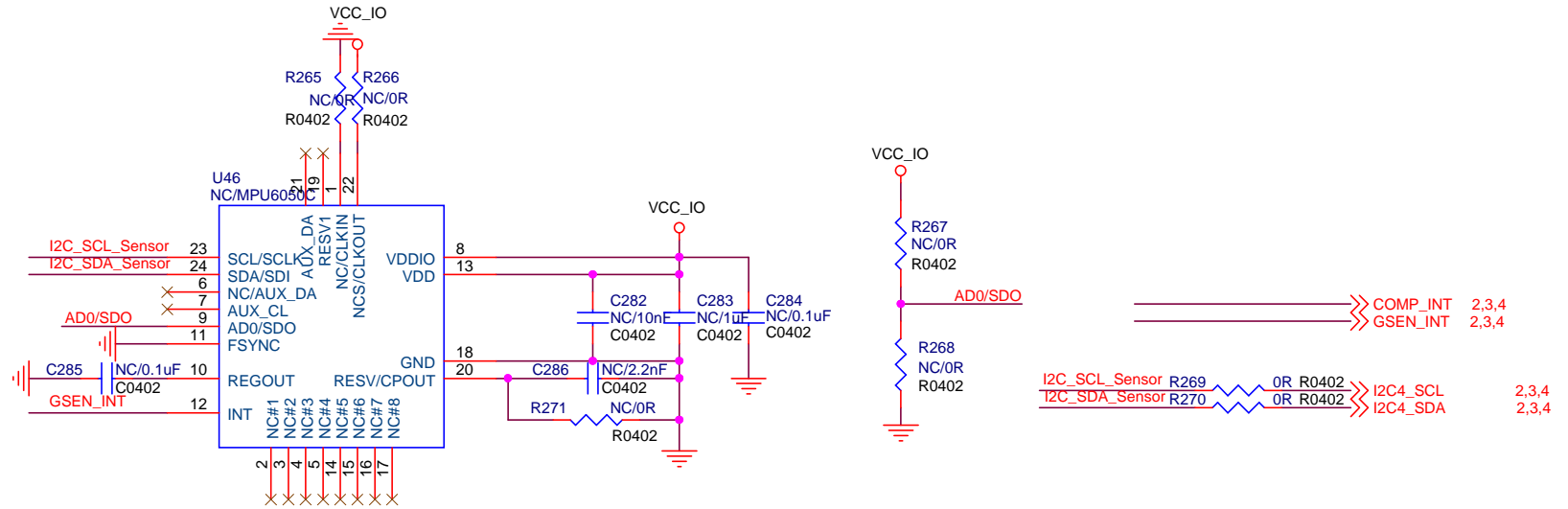
**Title:** <Title>

**File:** RK3288\_BASEBOARD **REV:** V01

**Create Date:** Thursday, August 20, 2015 **Page:** Num: 19

**Modify Date:** Thursday, October 19, 2017 **Page:** Total: 20

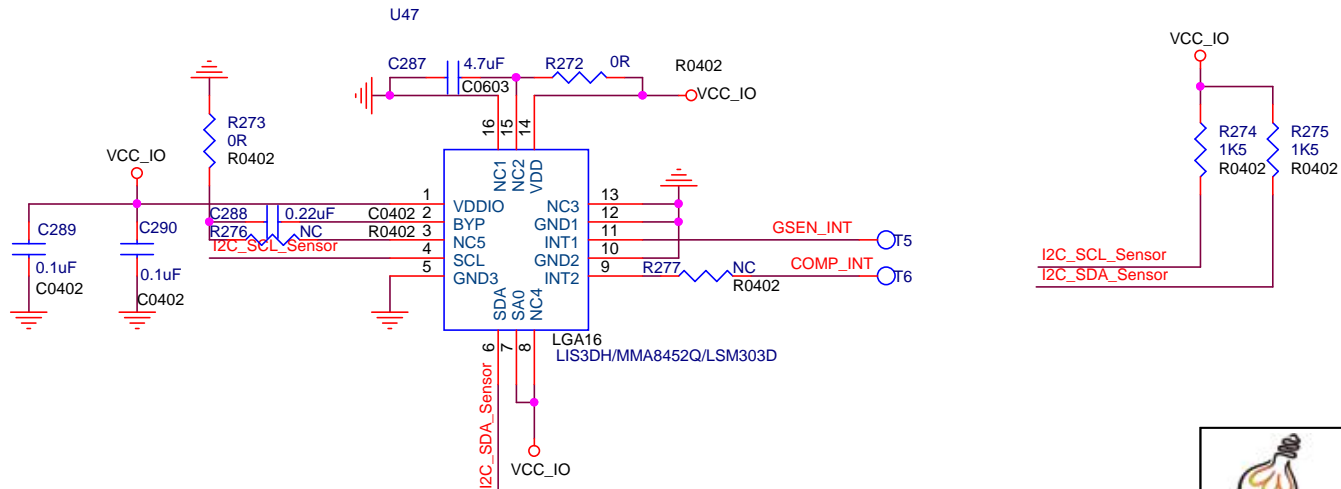
# Gyroscope



	MPU6050C	MPU6500
R93	0R	NC
C58	2.2nF	NC
R97	NC	0R
R94	NC	0R

# G-sensor

LSM303D with 3D Gsensor and E-compass



	LIS3DH	MMA8452Q	LSM303D
C63	NC	NC	4.7uF
R98	0ohm	NC	NC
R99	NC	0ohm	NC
C61	NC	0.1uF	0.22uF
R102	NC	NC	0R
R103	NC	NC	0R



[www.t-firefly.com](http://www.t-firefly.com)

<b>Title:</b> Sensor		<b>REV:</b> 00
<b>File:</b> DISPLAY_7D85		
<b>Create Date:</b> Monday, August 21, 2017	<b>Page Num:</b> 20	
<b>Modify Date:</b> Tuesday, December 05, 2017	<b>Page Total:</b> 20	